

PRODUCT DATA SHEET

Earthing components

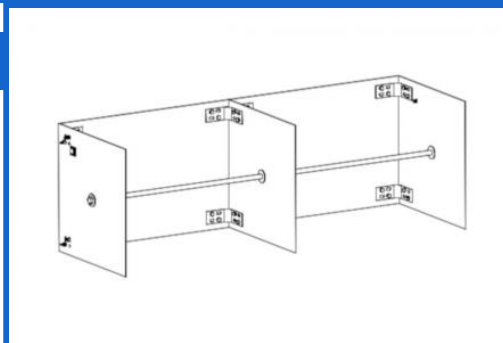
Earth rods, earth plates & type "E" earth electrodes

Code: 6321000-71

Description: Copper earth electrode type "E"™, code 6321000-71

Application

Earth electrode type "E"™, consisting of an element type "Π" (pi) and an element type "Γ" (gamma). It is equivalent to 6 earth rods 1,5m length positioned one to another in a distance of 3m.



Technical characteristics

Dimensions (LxWxH)	1500x500x500 mm
Element "Π" (pi)	Consisted of two plates of 500x500x3 mm dimensions and one plate of 750x500x3 mm dimensions, with all the needed accessories (bolts, nuts, washers, reinforcement bar, connection angles).
Element "Γ" (gama)	Consisted of one plate of 500x500x3 mm dimensions and one plate of 750x500x3 mm dimensions, with all the needed accessories (bolts, nuts, washers, reinforcement bar, connection angles).
Material	Copper (Cu)
Accessories material	Stainless steel grade V2A
Electrical resistivity	<0,018 μΩm
Tensile strength	200 - 450 N/mm ²

Installation instructions

Installation	Buried in ground, embedded in concrete
Can be connected in ground with	Cu, Cu-A (copper alloy), Cu/eSn, SSt (Stainless Steel), St/eCu.
Can be connected in concrete with	Cu, Cu-A (copper alloy), Cu/eSn, SSt (Stainless Steel), St/eCu, St/tZn.

Connection to conductor	By stainless steel clamp ELEMKO code 62 66 108 (provided)
Extension	By additional elements “Γ” (gama)
Testing as per IEC EN 62561	
<p>The component has successfully passed the testing requirements of standard IEC EN 62561-2 “Lightning protection system components (LPSC) – Part 2 : Requirements for conductors and earth electrodes”.</p> <p>Test report No 30791 by accredited laboratory as per ISO 17025.</p>	
ELEMKO management systems	
• ISO 9001	• ISO 14001
	• ISO 45001
Country of Origin	
Greece	
Unit: piece / Package: 1 piece	
We reserve the right to introduce changes in the component due to technical evolution.	