

PRODUCT DATA SHEET

Earthing components

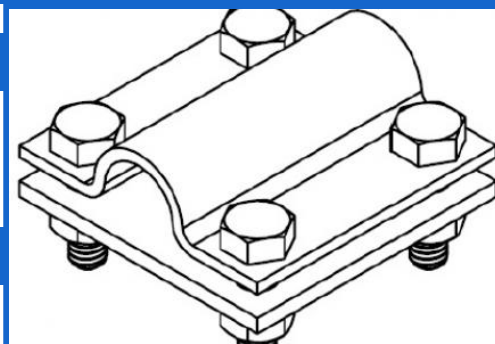
Connection components for earth conductors

Code: 6202041-71

Description: St/tZn rod to tape conductor connector with stainless steel screws, code: 6202041

Application

Clamp, for connecting round rod to tape conductor. Used in air termination system, down conductor system, earthing system.



Classification as per IEC EN 62561

- Heavy duty (H - 100 kA)
- General use
- Intended to withstand a static mechanical load
- Non-permanent connection

Technical characteristics -- Installation instructions

Material	Hot dip galvanized steel (St/tZn)
Description	Is consisted of two external plates with dimensions 60x60 mm and one intermediate plate.
Bolts / nuts	M8x30 mm, St/tZn hexagon head bolts. M8 St/tZn nuts.
Rod's dimensions	Ø20 mm
Tape's dimensions	20 - 40 mm & up to 5 mm thickness
Connection arrangements	Cross (B1). Parallel (B2).
Installation	Above ground, buried in ground, embedded in concrete.
Can be connected above ground with	Al, Stainless Steel (SSt), St/tZn.
Can be connected buried in ground with	Stainless Steel (SSt), St/tZn.
Can be connected in concrete with	Cu, Cu/eSn, Stainless Steel (SSt), St/eCu, St/tZn.
Tightening torque	13 Nm

Comply with

The component complies with standard IEC EN 62561-1 “Lightning protection system components (LPSC) – Part 1 : Requirements for connection components”.

Manufacturing Quality Control

Manufacturing quality control according to standard ISO 9001

Country of Origin

Greece

Unit: piece / Package: 15 pieces