

# PRODUCT DATA SHEET

## Earthing components

### Pipe clamps

## Lightning protection systems

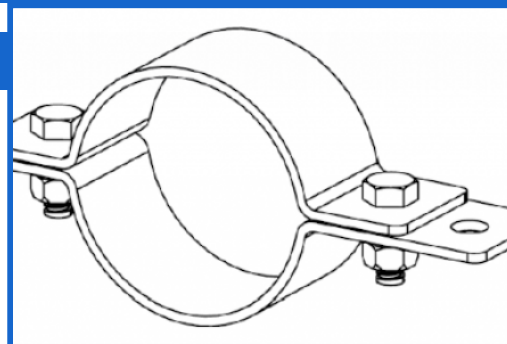
### Pipe clamps

**Code: 6501312-71**

**Description: Pipe clamp one point connection, code: 6501312**

#### Application

Pipe clamp with one conductor connection point. Used in air termination system, down conductor system, equipotential bonding. The connection to the conductor is achieved through additional clamp (not included). For copper conductor is needed additionally a bimetallic contact (not included) in order to avoid any electrochemical corrosion.



#### Classification as per IEC EN 62561

- Heavy duty (H - 100 kA)
- General use
- Intended to withstand a static mechanical load
- Non-permanent connection

#### Technical characteristics -- Installation instructions

Material	Hot dip galvanized steel (St/tZn)
Bolts / nuts	M8x25 mm, St/tZn hexagon head bolts, M8 St/tZn nuts
Pipe's diameter (mm / inch)	Ø99-104 / 3½"
Connection arrangements	Parallel (B7), "T" (B8)
Installation	Above ground, buried in ground
Can be connected above ground with	Pipes made from Al, Stainless Steel (SSt), St/tZn & conductors made from Al, Stainless Steel (SSt), St/tZn, Cu/eSn and through bimetallic contact with Cu or St/eCu.

Can be connected buried in ground with Pipes and conductors made from stainless Steel (SSt) or St/tZn

Tightening torque 13 Nm

Connection to conductor Through clamp (not included)

### Testing as per IEC EN 62561

The component has successfully passed the testing requirements of standard IEC EN 62561-1 "Lightning protection system components (LPSC) - Part 1 : Requirements for connection components".

Test report No **30612** by accredited laboratory as per ISO 17025

### Manufacturing Quality Control

Manufacturing quality control according standard ISO 9001

### Country of Origin

Greece

### Optional accessories

Bimetallic contact , ELEMKO code 6510105

**Unit: piece / Package: 50 pieces**