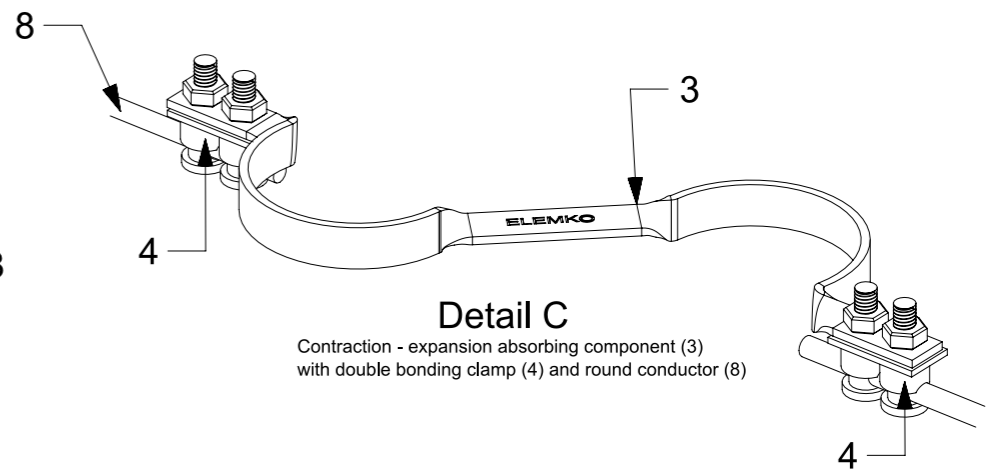
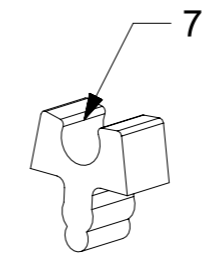


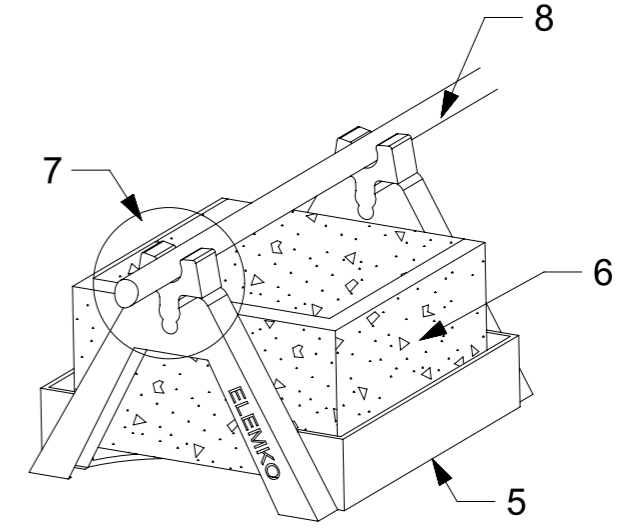
Detail A
Conductor fastener on brick or concrete wall (1) with round conductor (8)



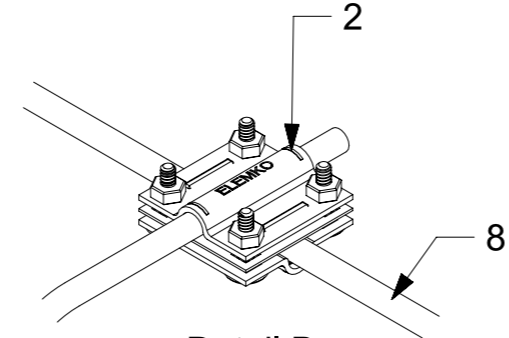
Detail C
Contraction - expansion absorbing component (3) with double bonding clamp (4) and round conductor (8)



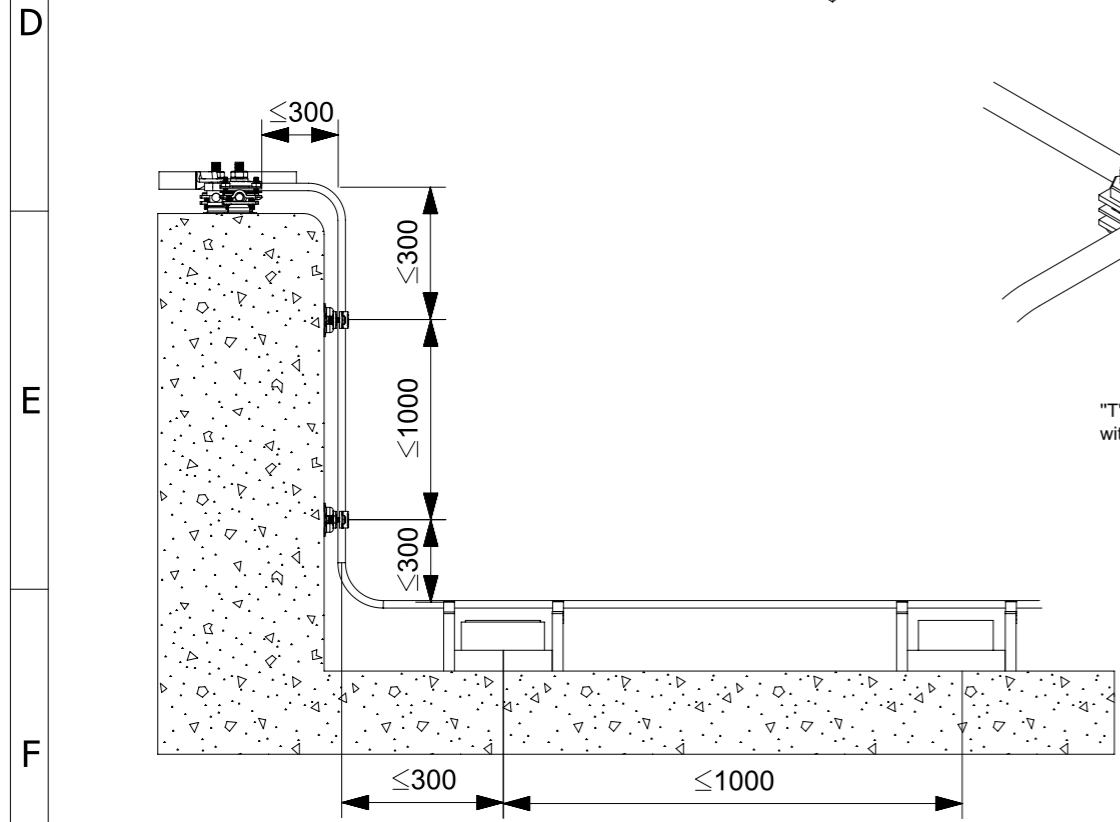
Detail E
Adaptor fastener Ø10 (7) with round conductor (8)



Detail D
Conductor fastener on water proof flat roofs (5) with concrete cube (6) adaptor fastener (7) and round conductor (8)



Detail B
"T" connection clamp (2) with round conductor (8)



All dimensions in mm

ITEM	DESCRIPTION	DETAIL	FOR CONDUCTOR			STANDARD IEC EN
			Copper (Cu)	Steel - Aluminium (St/tZn - Al)	Stainless steel (SSt)	
1	Conductor fastener	A	61 21 100	61 01 100	61 61 100	62561 - 4
2	"T" connection clamp	B	62 21 810	62 01 810	62 61 810	62561 - 1
3	Contraction - expansion	C	64 22 300	64 02 300	64 22 300	62561 - 1&2
4	Double bonding clamp	C	62 25 240	62 45 240	62 25 241	62561 - 1
5	Conductor fastener	D	61 30 104	61 30 104	61 30 104	62561 - 4
6	Concrete cube	D	61 30 105	61 30 105	61 30 105	-
7	Adaptor fastener	E	51 30 105	51 30 105	51 30 105	-
8	Round conductor	A,B,C,D,E,F	64 60 010	64 00 011	64 60 010	62561 - 2

TITLE :
Air termination system on water proof flat roofs - Use of contraction expansion absorbing component

FIRST ISSUED	November 2016	DRG NO.	013
DRAWN BY	Dionysopoulos G.		
CHECKED BY	Kokkinos D.	www.elemko.gr elemko@elemko.gr	
APPROVED BY	Kokkinos D.		
SCALE	None		
ISSUANCE DATE	November 2016	SHEET 1 OF 1	