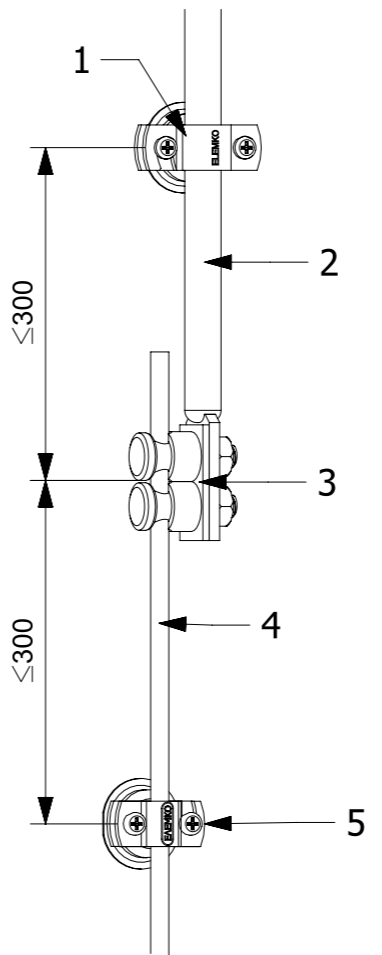
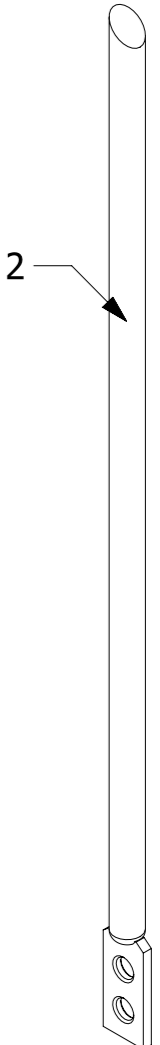


α:Protection angle



Detail A

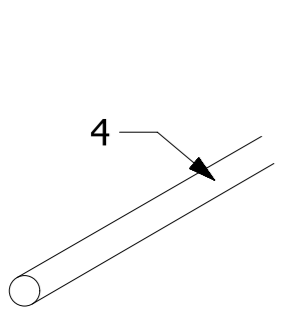
Air terminal fastener (1) with double bonding clamp (3) conductor fastener (5) , air terminal rod (2) and round conductor (4)



Detail B

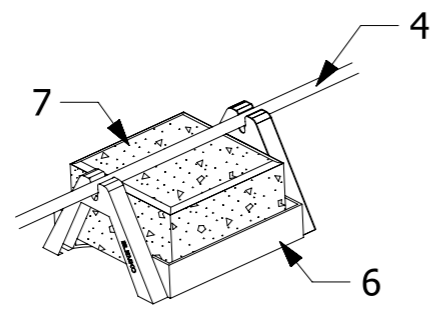
Air terminal rod (2) to be mounted on a perpendicular surface

ITEM	DESCRIPTION	DETAIL	ELEMKO CODE	MATERIAL	STANDARD
					IEC EN
1	Air terminal fastener	A	61 21 300	Cu	62561 - 4
2	Air terminal rod	A ,B	64 21 210	Cu	62561 - 2
3	Double bonding clamp	A	62 25 240	Cu	62561 - 1
4	Round conductor	A ,C ,D ,E	64 20 008	Cu	62561 - 2
5	Conductor fastener	A	61 21 100	Cu	62561 - 4
6	Conductor fastener	D	61 30 104	PL	62561 - 4
7	Concrete cube	D	61 30 105	Con.	-
8	"T" connection clamp	E	62 21 810	Cu	62561 - 1



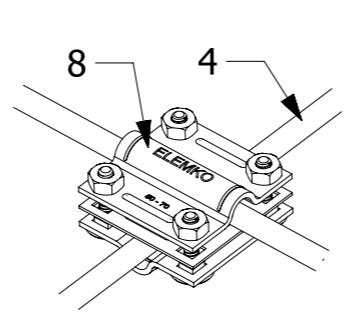
Detail C

Round conductor (4)



Detail D

Conductor fastener on water proof flat roofs (6) with concrete cube (7) and round conductor (4)



Detail E

"T" connection clamp (7) with round conductor (4)



Title:  
Installation of air termination system & air terminal rod on flat roofs - mounting on perpendicular surface

FIRST ISSUED	November 2016
DRAWN BY	Dionysopoulos G.
CHECKED BY	Klampana M.
APPROVED BY	Kokkinos D.
SCALE	None
ISSUANCE DATE	June 2018

DRG NO. 002 - 1

<http://www.elemko.gr> elemko@elemko.gr