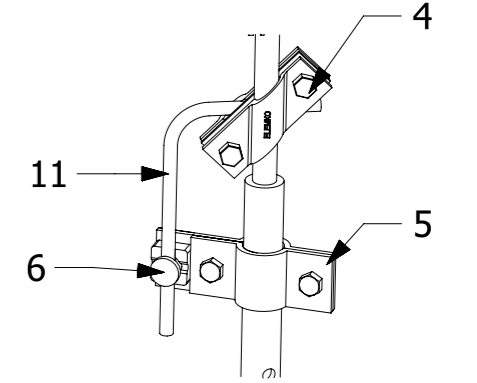
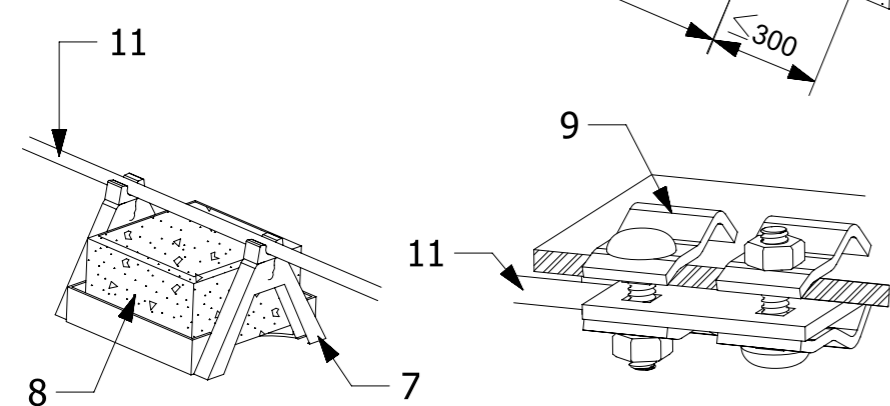


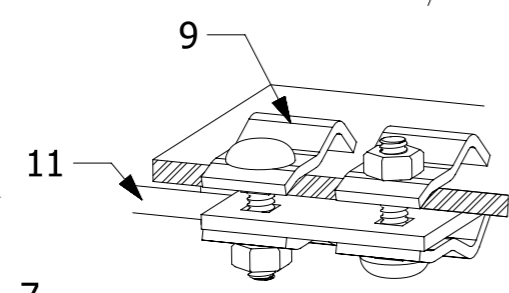
Detail A
 Isolating fastener rotating shaft (1)
 with air terminal rod (2), concrete mounting base (3)
 and round conductor (11).



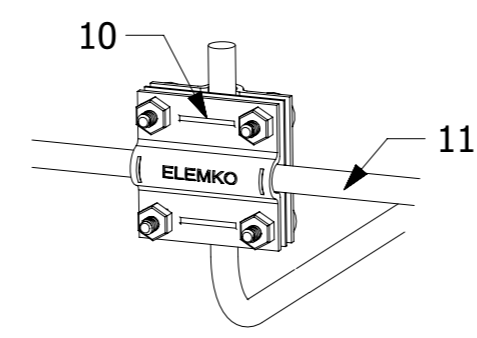
Detail B
 Cross and "T" connector (4),
 pipe clamp (5), single bonding clamp (6)
 and round conductor (11)



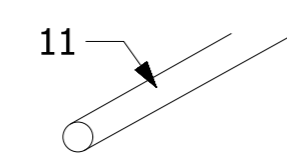
Detail C
 Conductor fastener on water proof flat roofs (7)
 with concrete cube (8) and round conductor (11)



Detail D
 Clamp - fastener connecting conductor (11)
 to reinforcement (9)



Detail E
 "T" connection clamp (10)
 with round conductor (11)



Detail F
 Round conductor (11)

ITEM	DESCRIPTION	DETAIL	FOR CONDUCTOR	STANDARD
			Steel - Aluminium (St/tZn - Al)	IEC EN
1	Isolating fastener	A	61 76 105	-
2	Air terminal rod	A	64 00 300 - 64 40 300	62561 - 2
3	Concrete mounting plate	A	61 30 300	-
4	Cross and "T" connector	B	62 01 610	62561 - 1
5	Pipe clamp	B	65 01 100	62561 - 1
6	Single bonding clamp	B	62 45 141	-
7	Conductor fastener	C	61 30 104	62561 - 4
8	Concrete cube	C	61 30 105	-
9	Clamp - fastener	D	62 01 005	62561 - 1
10	"T" connection clamp	E	62 01 810	62561 - 1
11	Round conductor	A,B,C,D,E,F	64 00 108 - 64 40 008	62561 - 2



TITLE :
 Air terminal rods - bonding to air termination system ,
 to cooling units (Version 2)

FIRST ISSUED	January 2017
DRAWN BY	Dionysopoulos G.
CHECKED BY	Kokkinos D.
APPROVED BY	Kokkinos D.
SCALE	None
ISSUANCE DATE	January 2017

DRG NO. **026 - 1**

<http://www.elemko.gr> elemko@elemko.gr

All dimensions in mm