

## PRODUCT DATA SHEET

### LIGHTNING PROTECTION AND EARTHING SYSTEM COMPONENTS

**Code: 61 30 104**

ed.02/2021

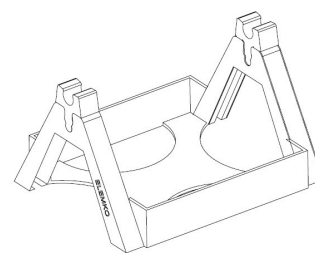
**Description: Ø6–10 mm conductor fastener**

#### Application

Fastening round conductor on waterproof flat roofs.

#### Classification as per IEC EN 62561

- Non-metallic.
- Without screws.
- Designed to clamp but allow axial movement of the conductor.



#### Technical characteristics

Material	Plastic, suitable for external installation and resistant to ultraviolet radiation
Dimensions	135x115x85 mm

#### Installation instructions

Conductor's dimensions	Ø6 – 10 mm (for Ø10 mm conductor is needed the adapter included in the fasteners components)
Compatibility with conductors made of	Al, Cu, Cu/eSn, SSt (Stainless Steel), St/eCu, St/tZn
Conductor's installation	The conductor is clipped on the fastener without using any tools. The fixation of the fastener is achieved due to its weight (needs a concrete cube 100x100x60mm, ELEMKO code 61 30 105) as well as to the number of the fasteners to be used. Also can be adherent using appropriate material.
Fixing	≤1000 mm for solid conductor. ≤500 mm for stranded conductor. ≤300 mm before and after of change of direction or clamp or contraction-expansion absorbing component.
Spacing between fasteners (Where additional mechanical strength is required, the spacing between the fasteners may be reduced.)	

#### Manufacturing Quality Control

Manufacturing quality control according to standard ISO 9001

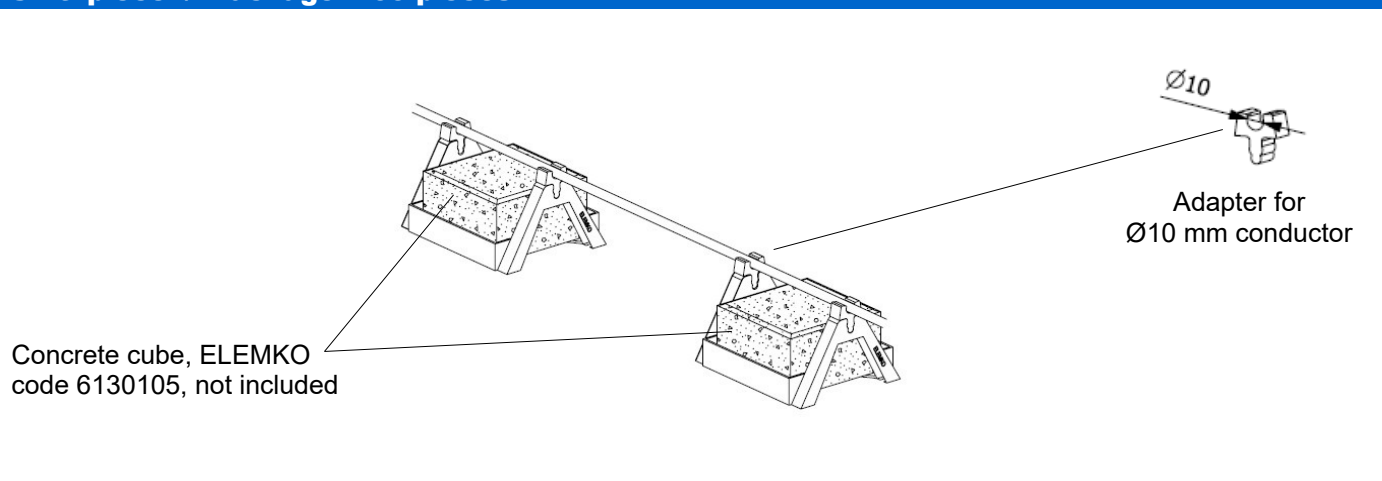
#### Country of Origin

Greece

#### Optional accessories

Concrete cube 100x100x60mm, ELEMKO code 61 30 105

**Unit: piece / Package: 100 pieces**



We reserve the right to introduce changes in the component due to technical evolution.