

PRODUCT DATA SHEET

LIGHTNING PROTECTION AND EARTHING SYSTEM COMPONENTS

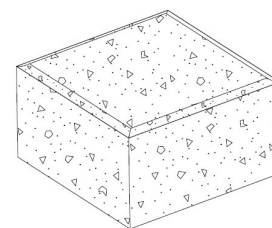
Code: 61 30 105

Description: Concrete cube for conductor fastener used on water proof flat roofs

ed.03/2021

Application

Fixation of fastener used on waterproof flat roofs.
The fixation of the fastener is achieved due to the weight of the concrete cube as well as to the number of the fasteners to be used.
The fastener is not included.



Technical characteristics

Material	Concrete
Dimensions	100x100x60 mm

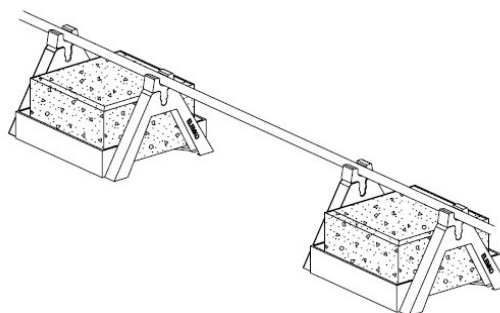
Manufacturing Quality Control

Manufacturing quality control according to standard ISO 9001

Country of Origin

Greece

Unit: piece / Package: 1 piece



We reserve the right to introduce changes in the component due to technical evolution.