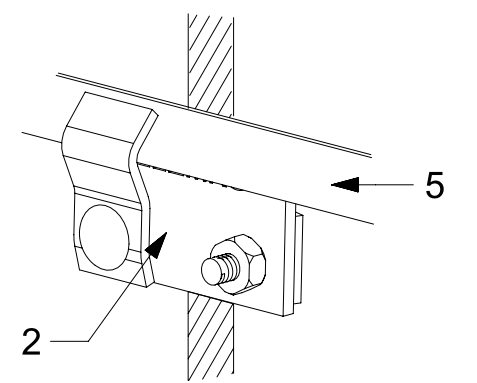
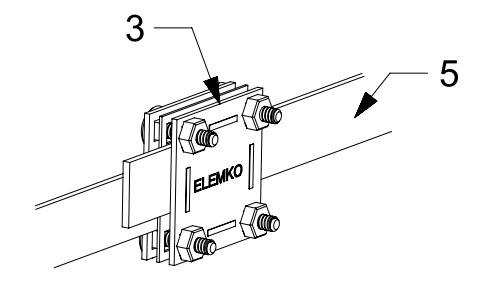


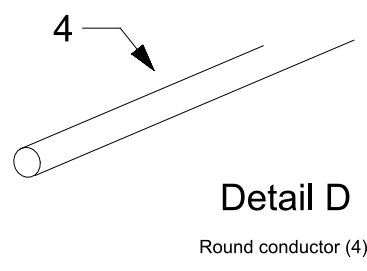
Detail A
Conductor connection clamp (1) with tape (5) and round conductor (4)



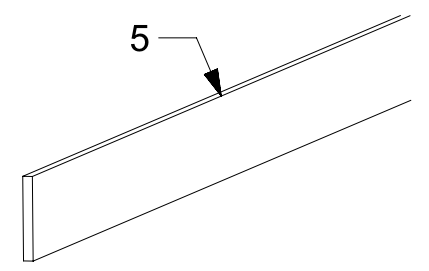
Detail B
Clamp - fastener connecting conductor to rebar (2) with tape conductor (5)



Detail C
"T" connection clamp (3) with tape conductor (5)



Detail D
Round conductor (4)



Detail E
Tape conductor (5)

All dimensions in mm

ITEM	DESCRIPTION	DETAIL	FOR CONDUCTOR			STANDARD IEC EN
			Copper (Cu)	Steel - Aluminium (St/tZn - Al)	Stainless steel (SSt)	
1	Conductor connection clamp	A	62 21 830	62 01 830	62 61 830	62561 - 1
2	Clamp - fastener	B	62 01 000	62 01 000	62 01 000	62561 - 1
3	"T" connection clamp	C	62 21 833	62 01 833	62 61 833	62561 - 1
4	Round conductor	A,D	64 20 008	64 00 108	64 60 008	62561 - 2
5	Tape conductor	A,B,C,E	64 20 030	64 01 133	64 61 335	62561 - 2



TITLE :
Foundation earthing material

FIRST ISSUED	March 2017
DRAWN BY	Dionysopoulos G.
CHECKED BY	Kokkinos N.
APPROVED BY	Kokkinos N.
SCALE	None
ISSUANCE DATE	March 2017

DRG NO. 037

<http://www.elemko.gr> elemko@elemko.gr