

PRODUCT DATA SHEET

LIGHTNING PROTECTION AND EARTHING SYSTEM COMPONENTS

Code: 62 01 810

Description: St/tZn conductor connection clamp

ed.02/2021

Application

Clamp, for connecting solid round or stranded conductors. Used in air termination system, down conductor system, earthing system.

Classification

- Heavy duty (H – 100 kA) ⁽¹⁾
- General use ⁽¹⁾
- Intended to withstand a static mechanical load ⁽¹⁾
- Non-permanent connection ⁽¹⁾
- Short circuit withstand capability 12,5 kA rms for 0,5s

⁽¹⁾ As per IEC EN 62561



Technical characteristics

Material	Hot dip galvanized steel (St/tZn)
Description	Is consisted of two external plates with dimensions 50x50 mm and one intermediate plate.
Bolts / nuts	M6x25 mm, V2A stainless steel carriage bolts M6 V2A stainless steel nuts

Installation instructions

Conductor's dimensions	Ø8–10 mm (50–70 mm ²)
Connection arrangements	Cross (B1) Parallel (B2)
Installation	Above ground, buried in ground, embedded in concrete
Can be connected above ground with	Al, SSt (Stainless Steel), St/tZn
Can be connected buried in ground with	SSt (Stainless Steel), St/tZn
Can be connected in concrete with	Cu, Cu/eSn, SSt (Stainless Steel), St/eCu, St/tZn
Tightening torque	9 Nm

Testing

The component has successfully passed the testing requirements of standard IEC EN 62561-1 "Lightning protection system components (LPSC) – Part 1 : Requirements for connection components".

Test reports No **30756, 30757, 30758 & 30759** by accredited laboratory as per ISO 17025

The component has successfully passed short circuit withstand capability tests.

Test report No **153/2018/EMI**

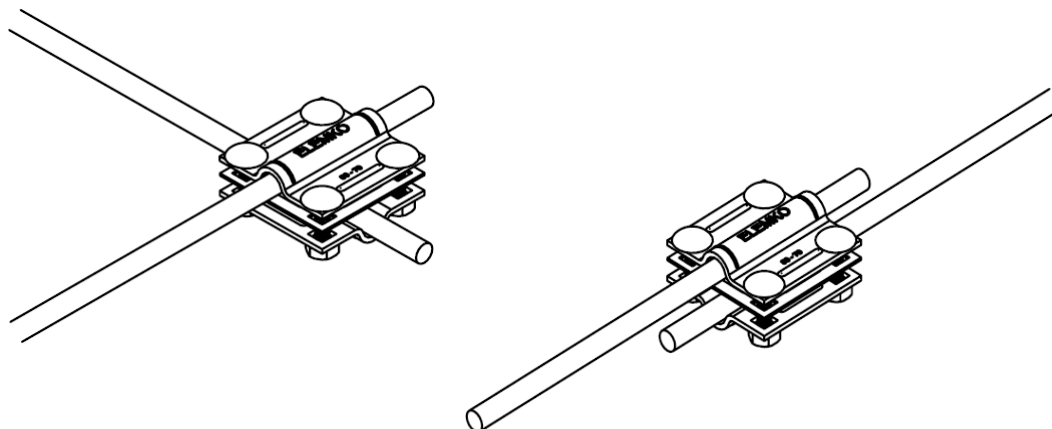
Manufacturing Quality Control

Manufacturing quality control according standard ISO 9001

Country of Origin

Greece

Unit: piece / Package: 25 pieces



We reserve the right to introduce changes in the component due to technical evolution.