

## PRODUCT DATA SHEET

### LIGHTNING PROTECTION AND EARTHING SYSTEM COMPONENTS

**Code: 62 08 014**

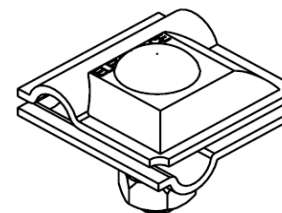
ed.02/2021

**Description: St/tZn universal connector – clamp**

Page 1 of 2

#### Application

Clamp, for connecting solid round or stranded conductors, bonding of metallic structures etc. Used in air termination system, down conductor system, earthing system.



#### Classification as per IEC EN 62561

- Heavy duty (H – 100 kA)
- General use
- Not intended to withstand a static mechanical load
- Non-permanent connection

#### Technical characteristics

Material	Hot dip galvanized steel (St/tZn)
Description	Is consisted of two plates with dimensions 40x40 mm.
Bolts / nuts	M8x40 mm, St/tZn carriage bolt M8 St/tZn nut

#### Installation instructions

Conductor's dimensions	Ø8–10 mm (50–70 mm <sup>2</sup> )
Dimension of metal installation (thickness)	Up to 5 mm
Connection arrangements	Cross & “T” (B1, B6) Parallel (B2, B5)
Installation	Above ground, buried in ground, embedded in concrete
Can be connected above ground with	Al, Stainless Steel (SSt), St/tZn
Can be connected buried in ground with	Stainless Steel (SSt), St/tZn
Can be connected in concrete with	Cu, Cu/eSn, Stainless Steel (SSt), St/tZn
Tightening torque	17 Nm

#### Testing as per IEC EN 62561

The component has successfully passed the testing requirements of standard IEC EN 62561-1 “Lightning protection system components (LPSC) – Part 1 : Requirements for connection components”.  
Test reports No **31248 & 31281** by accredited laboratory as per ISO 17025

#### Manufacturing Quality Control

Manufacturing quality control according standard ISO 9001

#### Country of Origin

Greece

#### Unit: piece / Package: 25 pieces

See following typical applications of the clamp.

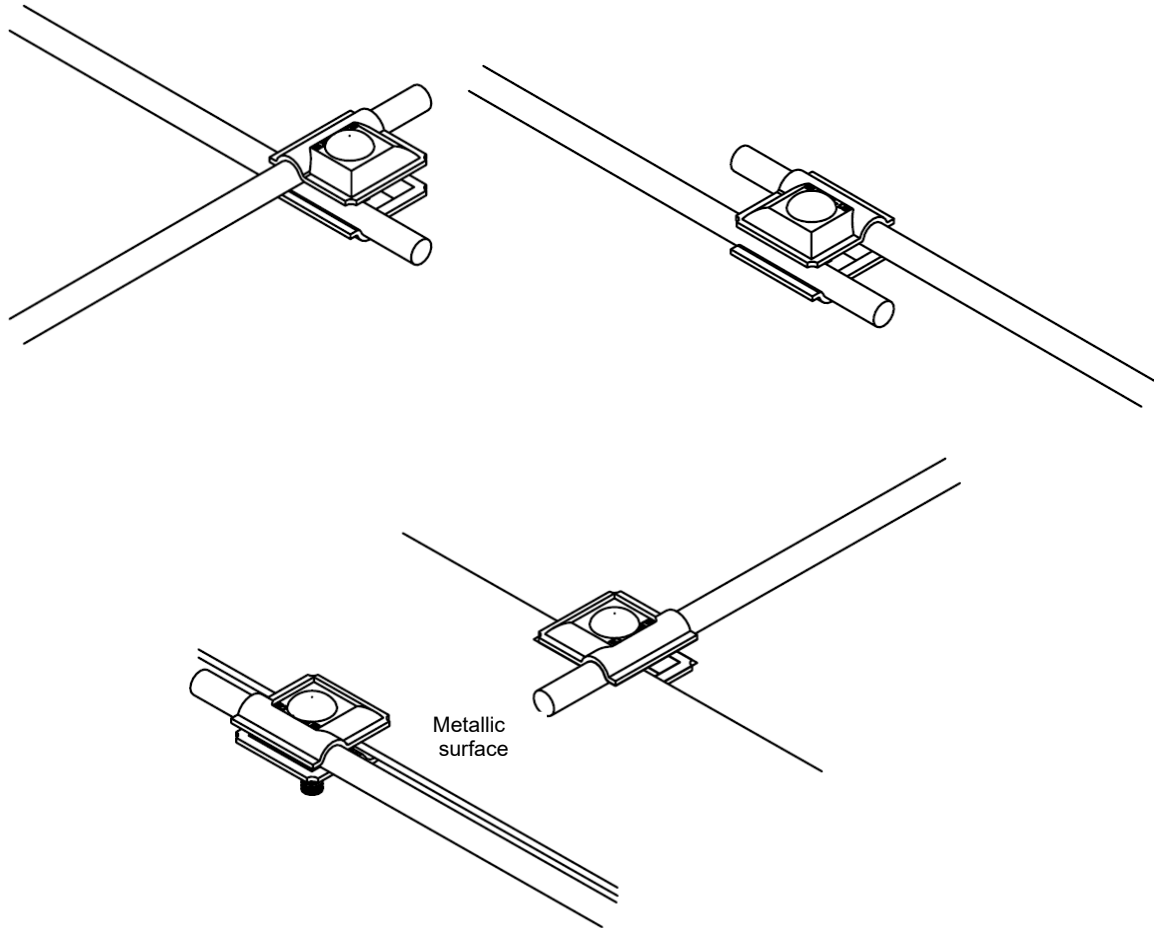
We reserve the right to introduce changes in the component due to technical evolution.

**PRODUCT DATA SHEET****LIGHTNING PROTECTION AND EARTHING SYSTEM COMPONENTS****Code: 62 08 014**

ed.02/2021

**Description: St/tZn universal connector – clamp**

Page 2 of 2



Typical applications of the clamp