

PRODUCT DATA SHEET

LIGHTNING PROTECTION AND EARTHING SYSTEM COMPONENTS

Code: 62 08 308

Description: St/tZn parallel clamp

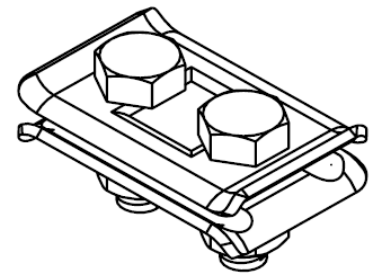
ed.02/2021

Application

Clamp, for connecting solid round or stranded conductors. Used in air termination system, down conductor system, earthing system.

Classification as per IEC EN 62561

- Heavy duty (H – 100 kA)
- General use
- Not intended to withstand a static mechanical load
- Non-permanent connection



Technical characteristics

Material	Hot dip galvanized steel (St/tZn)
Description	Is consisted of two plates with dimensions 55x40 mm.
Bolts / nuts	M8x25 mm, St/tZn hexagon head bolts M8 St/tZn nuts

Installation instructions

Conductor's dimensions	Ø8–10 mm (50–70 mm ²)
Connection arrangement	Parallel (B2)
Installation	Above ground, buried in ground, embedded in concrete
Can be connected above ground with	Al, Stainless Steel (SSt), St/tZn
Can be connected buried in ground with	Stainless Steel (SSt), St/tZn
Can be connected in concrete with	Cu, Cu/eSn, Stainless Steel (SSt), St/tZn
Tightening torque	13 Nm

Testing as per IEC EN 62561

The component has successfully passed the testing requirements of standard IEC EN 62561-1 "Lightning protection system components (LPSC) – Part 1 : Requirements for connection components".
Test report No **30059** by accredited laboratory as per ISO 17025

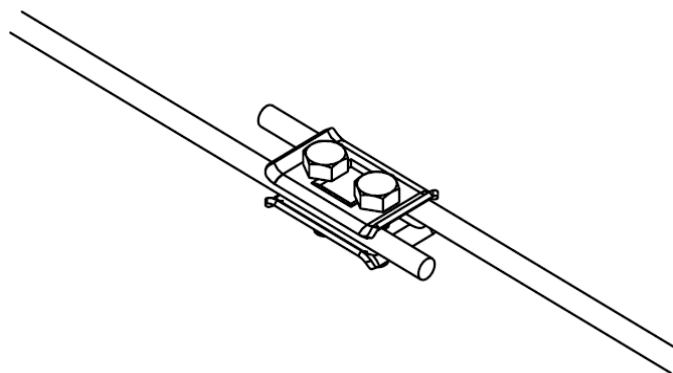
Manufacturing Quality Control

Manufacturing quality control according standard ISO 9001

Country of Origin

Greece

Unit: piece / Package: 50 pieces



We reserve the right to introduce changes in the component due to technical evolution.