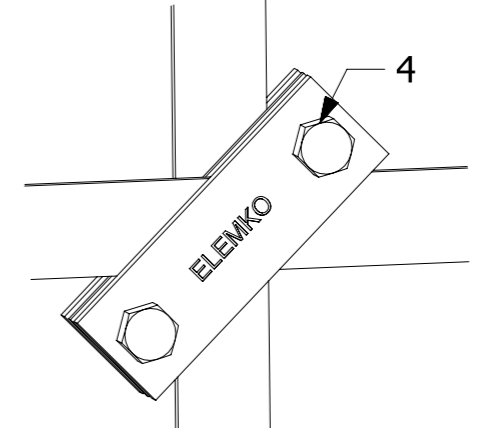
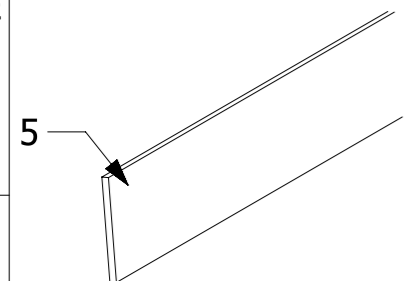


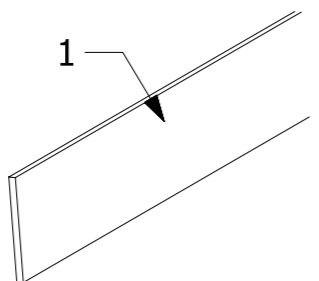
**Detail A**  
 Wall earthing receptable (2) type ELEMKO 65 24 208  
 with cross and "T" connector (3) type ELEMKO 62 08 040  
 and tape conductor (1) type ELEMKO 64 01 143 & 64 20 403 (5)



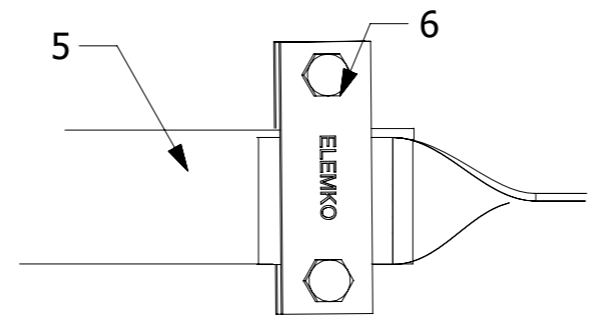
**Detail B**  
 Cross and "T" connector (4)  
 type ELEMKO 62 04 061 between  
 tape conductors 64 01 143 (1)



**Detail C**  
 Tape conductor (5) type  
 ELEMKO 64 20 403






**Detail D**  
 Tape conductor (1) type  
 ELEMKO 64 01 143



**Detail E**  
 Cross and "T" connector (6)  
 type ELEMKO 62 24 060 between  
 tape conductors 64 20 403 (5)

All dimensions in mm

		Title:	
		LPS connected to down conductors and earthing embedded in concrete	
FIRST ISSUED	April 2017	DRG NO.	049-2
DRAWN BY	Dionysopoulos G.		
CHECKED BY	Klampana M.	 www.elemko.gr  elemko@elemko.gr	
APPROVED BY	Kokkinos D.		
SCALE	None	SHEET 1 OF 1	
ISSUANCE DATE	July 2018		