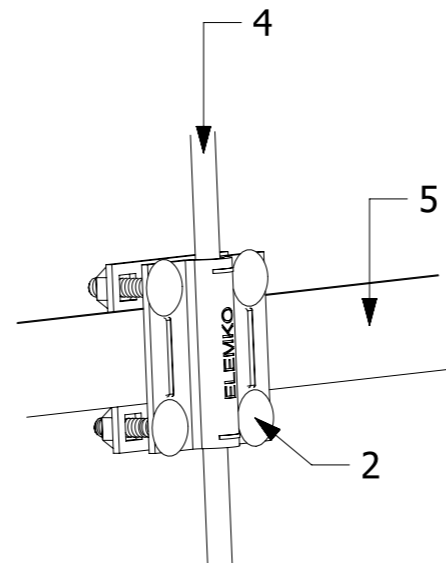
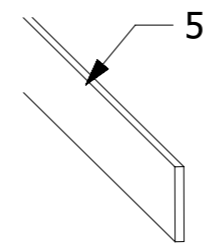


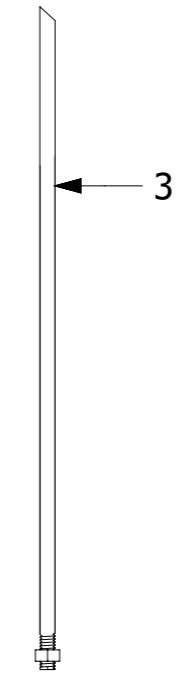
Detail A  
Cross and "T" connection clamp (1)  
round conductor (4)  
and air terminal rod (3)



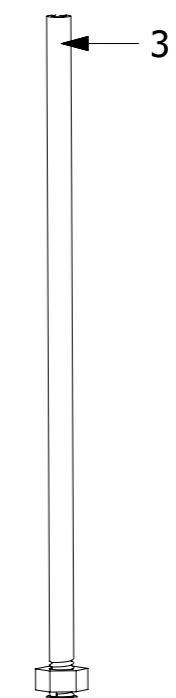
Detail B  
Conductor connection clamp (2)  
with round (4) and tape conductor (5)



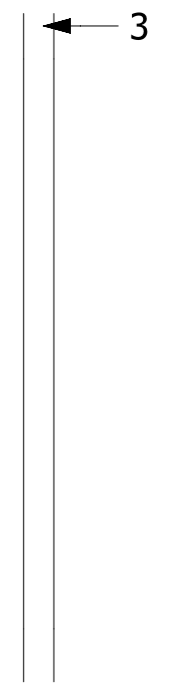
Detail G  
Tape conductor (5)



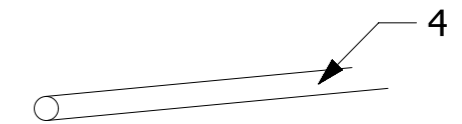
Detail C  
Air terminal rod  $\varnothing 10$  (3)



Detail D  
Air terminal rod  $\varnothing 16$  (3)



Detail E  
Air terminal rod  $\varnothing 20$  (3)



Detail F  
Round conductor (4)

Item	Description	Detail	Item number	Material	Standard
					IEC EN
1	Cross and "T" connector	A	62 08 016	St/tZn	62561 - 1
2	Conductor connection clamp	B	62 01 830	St/tZn	62561 - 1
3	Air terminal rod	A,C	Included in ELEMKO item code 64 40 500	Al	62561 - 2
		D			
		E			
4	Round conductor	A,B,F	64 00 011	St/tZn	62561 - 2
5	Tape conductor	B,G	64 01 133	St/tZn	62561 - 2
6	Stainless steel pipe	A	Included in ELEMKO item code 64 40 500	SS	62561 - 2



TITLE :  
Use of air termination rod ELEMKO code 64 40 500

FIRST ISSUED	January 2017
DRAWN BY	Dionysopoulos G.
CHECKED BY	Papageorgiou T.
APPROVED BY	Kokkinos D.
SCALE	None
ISSUANCE DATE	January 2017

DRG NO. **019 - 2**  
<http://www.elemko.gr>    [elemko@elemko.gr](mailto:elemko@elemko.gr)

All dimensions in mm

SHEET 1 OF 1

A3