

PRODUCT DATA SHEET

LIGHTNING PROTECTION AND EARTHING SYSTEM COMPONENTS

Code: 62 21 040 (copper connector) / 62 21 041 (tin plated copper connector)

ed.02/2021

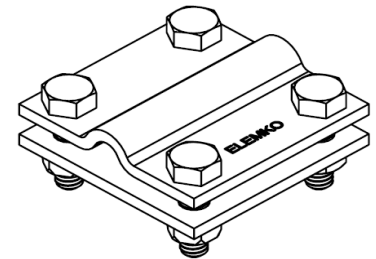
Description: Round to tape conductor connector

Application

Clamp for connecting solid round or stranded conductor to tape conductor. Used in air termination system, down conductor system, earthing system.

Classification as per IEC EN 62561

- Heavy duty (H – 100 kA)
- General use
- Intended to withstand a static mechanical load
- Non-permanent connection



Technical characteristics

Material	Copper (Cu) and/or tin plated copper (Cu/eSn)
Description	Is consisted of two plates with dimensions 70x70 mm.
Bolts / nuts	M8x30 mm, V2A stainless steel hexagon head bolts M8 V2A stainless steel nuts

Installation instructions

Conductor's dimensions	Ø8–10 mm (50–70 mm ²)
Tape's dimensions	20-40 mm & up to 6 mm thickness
Connection arrangements	Cross (B1) Parallel (B2)
Installation	Above ground, buried in ground, embedded in concrete
Can be connected above ground with	Cu, Cu/eSn, Stainless Steel (SSt), St/tZn*
Can be connected buried in ground with	Cu, Cu/eSn, Stainless Steel (SSt)
Can be connected in concrete with	Cu, Cu/eSn, Stainless Steel (SSt), St/tZn
Tightening torque	13 Nm

Testing as per IEC EN 62561

The component has successfully passed the testing requirements of standard IEC EN 62561-1 "Lightning protection system components (LPSC) – Part 1 : Requirements for connection components".
Test report No **30832** by accredited laboratory as per ISO 17025

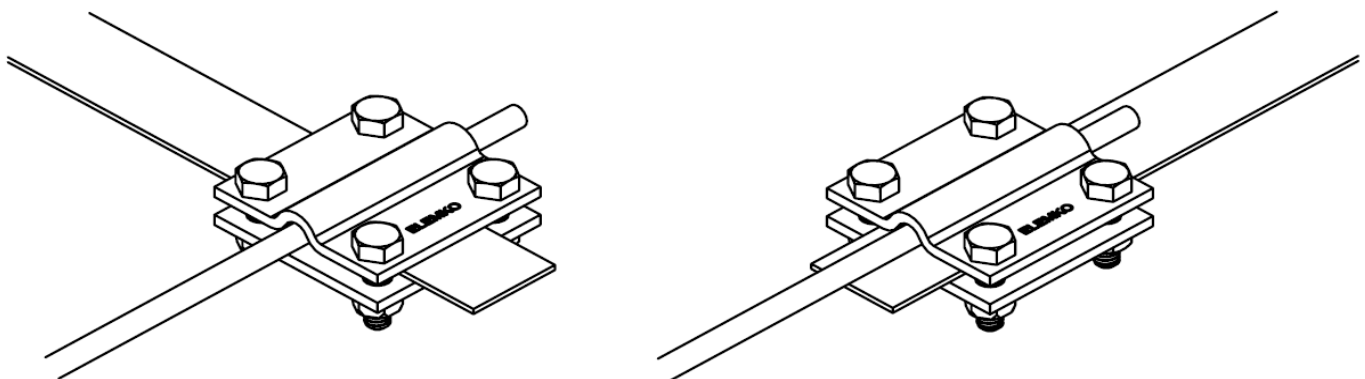
Manufacturing Quality Control

Manufacturing quality control according standard ISO 9001

Country of Origin

Greece

Unit: piece / Package: 15 pieces



*Only for tin plated copper clamp and not simultaneously with Cu.

We reserve the right to introduce changes in the component due to technical evolution.