

PRODUCT DATA SHEET

LIGHTNING PROTECTION AND EARTHING SYSTEM COMPONENTS

Code: 62 21 616 (copper connector) / 62 21 617 (tin plated copper connector)

ed.02/2021

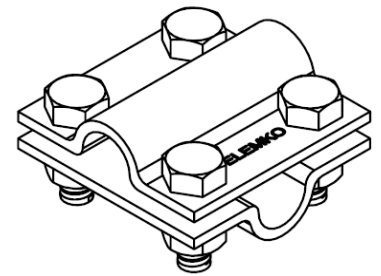
Description: Rod connector

Application

Clamp, for connecting round rods. Used in air termination system, down conductor system, earthing system.

Classification as per IEC EN 62561

- Heavy duty (H – 100 kA)
- General use
- Intended to withstand a static mechanical load
- Non-permanent connection



Technical characteristics

Material	Copper (Cu) and/or tin plated copper (Cu/eSn)
Description	Is consisted of two plates with dimensions 60x60 mm.
Bolts / nuts	M8x25 mm, V2A stainless steel hexagon head bolts M8 V2A stainless steel nuts

Installation instructions

Rod's dimensions	Ø16 mm
Connection arrangements	Cross (B1) Parallel (B2)
Installation	Above ground, buried in ground, embedded in concrete
Can be connected above ground with	Cu, Cu/eSn, Stainless Steel (SSt), St/eCu, St/tZn*
Can be connected buried in ground with	Cu, Cu/eSn, Stainless Steel (SSt), St/eCu
Can be connected in concrete with	Cu, Cu/eSn, Stainless Steel (SSt), St/eCu, St/tZn
Tightening torque	13 Nm

Testing as per IEC EN 62561

The component has successfully passed the testing requirements of standard IEC EN 62561-1 "Lightning protection system components (LPSC) – Part 1 : Requirements for connection components".
Test report No **30955** by accredited laboratory as per ISO 17025

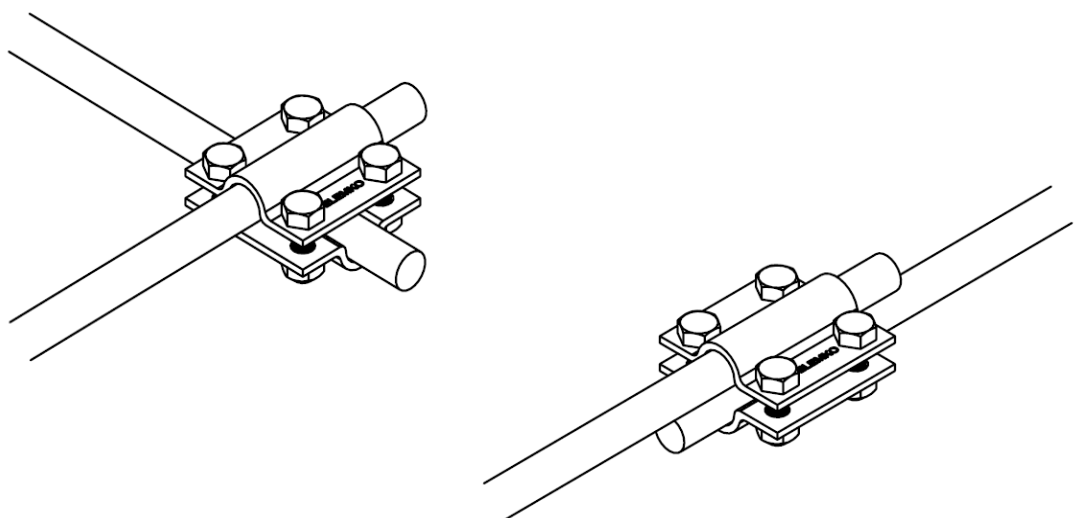
Manufacturing Quality Control

Manufacturing quality control according standard ISO 9001

Country of Origin

Greece

Unit: piece / Package: 20 pieces



*Only for tin plated copper clamp and not simultaneously with Cu, St/eCu.

We reserve the right to introduce changes in the component due to technical evolution.