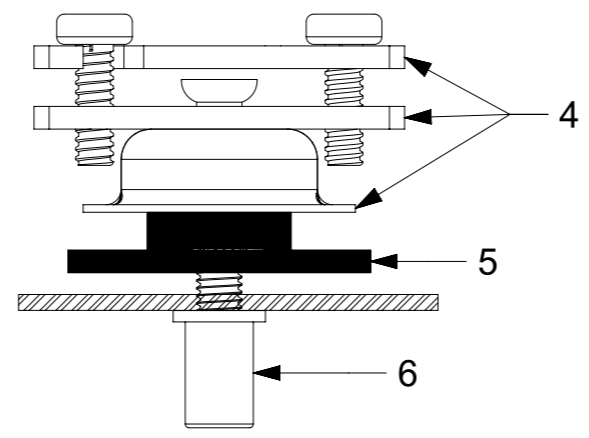
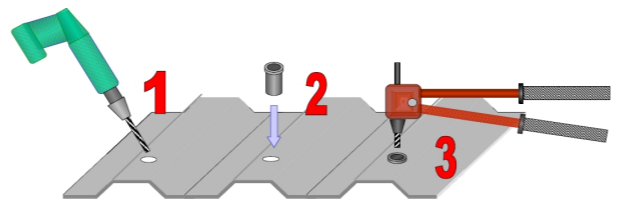


Detail B
"T" connection clamp (2) with air terminal rod (3) and tape conductor (7)



Detail C
Conductor fastener (4) with sealing washer (5), and blind rivet nut (6)

- At picture you can see the installation of blind rivet nut :
- Drilling the metal panel
 - Insert the blind rivet nut
 - Decompression blind rivet nut with hand riveter (ELEMKO code : 65 04 000)



All dimensions in mm

ITEM	DESCRIPTION	DETAIL	FOR CONDUCTOR	
			Copper (Cu)	STANDARD
1	"T" connection clamp	A	62 21 833	62561 - 1
2	"T" connection clamp	B	62 21 830	62561 - 1
3	Air terminal rod	B	64 21 104	62561 - 2
4	Conductor fastener	C	61 21 225	62561 - 4
5	Sealing washer	C	61 03 201	-
6	Blind rivet	C	65 04 409	-
7	Tape conductor	A,B,C,D	64 20 253	62561 - 2

		TITLE :	
		Conductors fasteners on corrugated metal roofs (Tape version)	
FIRST ISSUED	January 2017	DRG NO.	
DRAWN BY	Dionysopoulos G.	024	
CHECKED BY	Kokkinos D.	www.elemko.gr elemko@elemko.gr	
APPROVED BY	Kokkinos D.	SHEET 1 OF 1	
SCALE	None		
ISSUANCE DATE	January 2017		

1 2 3 4 5 6 7 8

A B C D E F

A B C D E F

1 2 3 4 5 6 7 A3