

## PRODUCT DATA SHEET

### LIGHTNING PROTECTION AND EARTHING SYSTEM COMPONENTS

**Code: 62 24 130 (copper connector) / 62 24 131 (tin plated copper connector)**

**Description: Tape conductor connector**

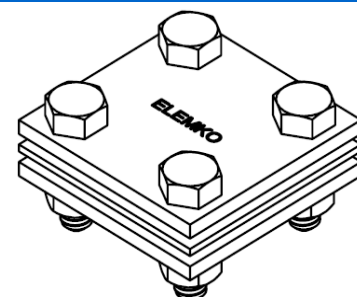
ed.02/2021

#### Application

Clamp for connecting tape conductors. Used in air termination system, down conductor system, earthing system.

#### Classification as per IEC EN 62561

- Heavy duty (H – 100 kA)
- General use
- Intended to withstand a static mechanical load
- Non-permanent connection



#### Technical characteristics

Material	Copper (Cu) and/or tin plated copper (Cu/eSn)
Description	Is consisted of two external plates with dimensions 60x60 mm and one intermediate plate.
Bolts / nuts	M8x30 mm, V2A stainless steel hexagon head bolts M8 V2A stainless steel nuts

#### Installation instructions

Tape's dimensions	20-30 mm & up to 5 mm thickness
Connection arrangements	Cross (B1) Parallel (B2)
Installation	Above ground, buried in ground, embedded in concrete
Can be connected above ground with	Cu, Cu/eSn, Stainless Steel (SSt), St/tZn*
Can be connected buried in ground with	Cu, Cu/eSn, Stainless Steel (SSt)
Can be connected in concrete with	Cu, Cu/eSn, Stainless Steel (SSt), St/tZn
Tightening torque	13 Nm

#### Testing as per IEC EN 62561

The component has successfully passed the testing requirements of standard IEC EN 62561-1 "Lightning protection system components (LPSC) – Part 1 : Requirements for connection components".  
Test report No **30197** by accredited laboratory as per ISO 17025

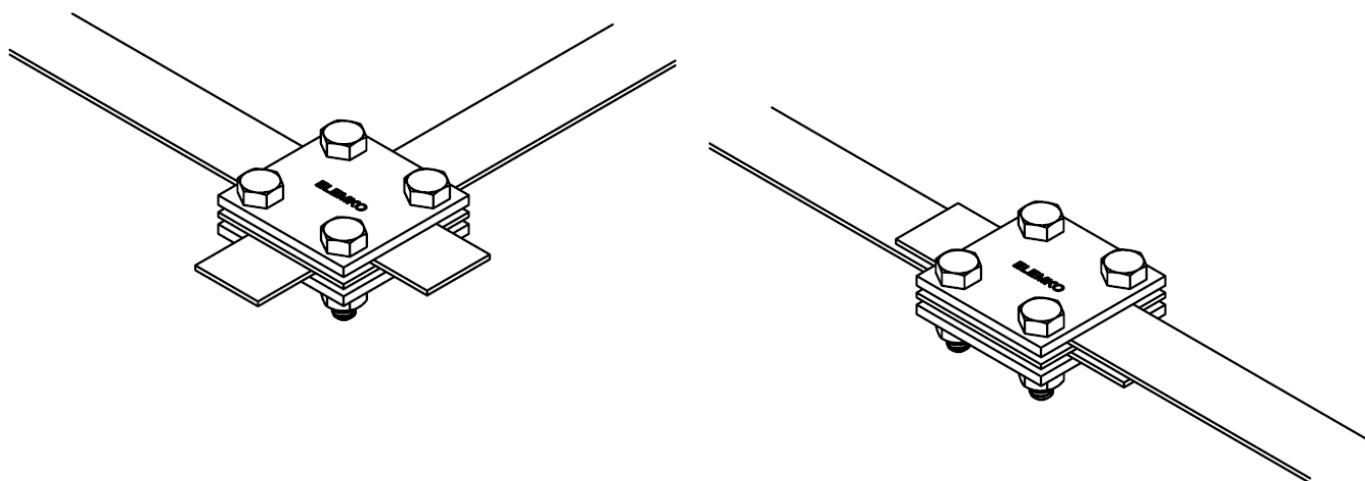
#### Manufacturing Quality Control

Manufacturing quality control according standard ISO 9001

#### Country of Origin

Greece

#### Unit: piece / Package: 20 pieces



\*Only for tin plated copper clamp

We reserve the right to introduce changes in the component due to technical evolution.