

## PRODUCT DATA SHEET

### LIGHTNING PROTECTION AND EARTHING SYSTEM COMPONENTS

**Code: 62 28 014 (copper clamp) / 62 28 015 (tin plated copper clamp)**

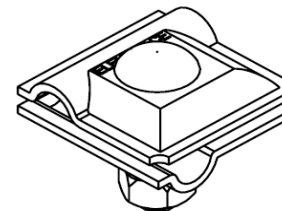
ed.02/2021

**Description: Universal connector – clamp**

Page 1 of 2

#### Application

Clamp, for connecting solid round or stranded conductors, bonding of metallic structures etc. Used in air termination system, down conductor system, earthing system.



#### Classification as per IEC EN 62561

- Heavy duty (H – 100 kA)
- General use
- Not intended to withstand a static mechanical load
- Non-permanent connection

#### Technical characteristics

|              |                                                                           |
|--------------|---------------------------------------------------------------------------|
| Material     | Copper (Cu) and/or tin plated copper (Cu/eSn)                             |
| Description  | Is consisted of two plates with dimensions 40x40 mm.                      |
| Bolts / nuts | M8x40 mm, V2A stainless steel carriage bolt<br>M8 V2A stainless steel nut |

#### Installation instructions

|                                             |                                                      |
|---------------------------------------------|------------------------------------------------------|
| Conductor's dimensions                      | Ø8–10 mm (50–70 mm <sup>2</sup> )                    |
| Dimension of metal installation (thickness) | Up to 5 mm                                           |
| Connection arrangements                     | Cross & "T" (B1, B6)<br>Parallel (B2, B5)            |
| Installation                                | Above ground, buried in ground, embedded in concrete |
| Can be connected above ground with          | Cu, Cu/eSn, Stainless Steel (SSt), St/eCu, St/tZn*   |
| Can be connected buried in ground with      | Cu, Cu/eSn, Stainless Steel (SSt), St/eCu            |
| Can be connected in concrete with           | Cu, Cu/eSn, Stainless Steel (SSt), St/eCu, St/tZn    |
| Tightening torque                           | 17 Nm                                                |

#### Testing as per IEC EN 62561

The component has successfully passed the testing requirements of standard IEC EN 62561-1 "Lightning protection system components (LPSC) – Part 1 : Requirements for connection components".  
Test reports No **31855** by accredited laboratory as per ISO 17025

#### Manufacturing Quality Control

Manufacturing quality control according standard ISO 9001

#### Country of Origin

Greece

#### Unit: piece / Package: 25 pieces

See following typical applications of the clamp.

\*Only for tin plated copper clamp

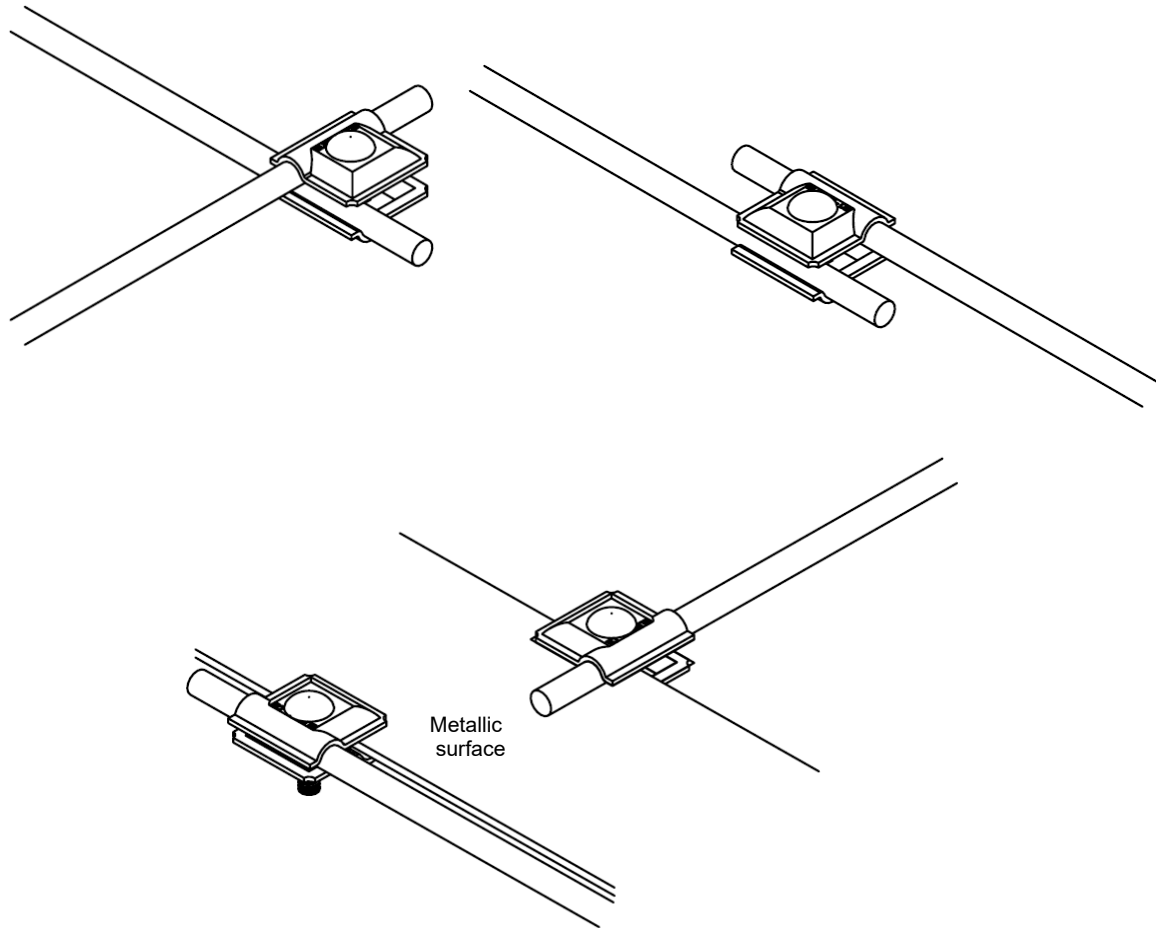
We reserve the right to introduce changes in the component due to technical evolution.

**PRODUCT DATA SHEET****LIGHTNING PROTECTION AND EARTHING SYSTEM COMPONENTS****Code: 62 28 014 (copper clamp) / 62 28 015 (tin plated copper clamp)**

ed.02/2021

**Description: Universal connector – clamp**

Page 2 of 2



Typical applications of the clamp