

## PRODUCT DATA SHEET

### LIGHTNING PROTECTION AND EARTHING SYSTEM COMPONENTS

**Code: 62 28 030 (copper clamp) / 62 28 031 (tin plated copper clamp)**

**Description: Round or stranded to tape conductor connector**

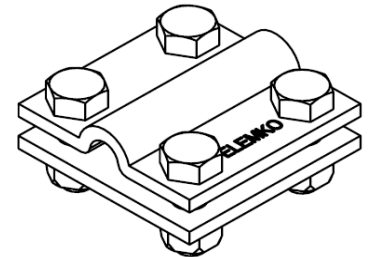
ed.02/2021

#### Application

Clamp for connecting solid round or stranded conductor to tape conductor. Used in air termination system, down conductor system, earthing system.

#### Classification as per IEC EN 62561

- Heavy duty (H – 100 kA)
- General use
- Intended to withstand a static mechanical load
- Non-permanent connection



#### Technical characteristics

Material	Copper (Cu) and/or tin plated copper (Cu/eSn)
Description	Is consisted of two plates with dimensions 60x60 mm.
Bolts / nuts	M8x25 mm, V2A stainless steel hexagon head bolts M8 V2A stainless steel nuts

#### Installation instructions

Conductor's dimensions	Ø8–10 mm (50–70 mm <sup>2</sup> )
Tape's dimensions	Up to 30 mm width & up to 6 mm thickness
Connection arrangements	Cross (B1) Parallel (B2)
Installation	Above ground, buried in ground, embedded in concrete
Can be connected above ground with	Cu, Cu/eSn, Stainless Steel (SSt), St/eCu, St/tZn*
Can be connected buried in ground with	Cu, Cu/eSn, Stainless Steel (SSt), St/eCu
Can be connected in concrete with	Cu, Cu/eSn, Stainless Steel (SSt), St/eCu, St/tZn
Tightening torque	13 Nm

#### Testing as per IEC EN 62561

The component has successfully passed the testing requirements of standard IEC EN 62561-1 "Lightning protection system components (LPSC) – Part 1 : Requirements for connection components".

Test reports No **30241 & 30242** by accredited laboratory as per ISO 17025

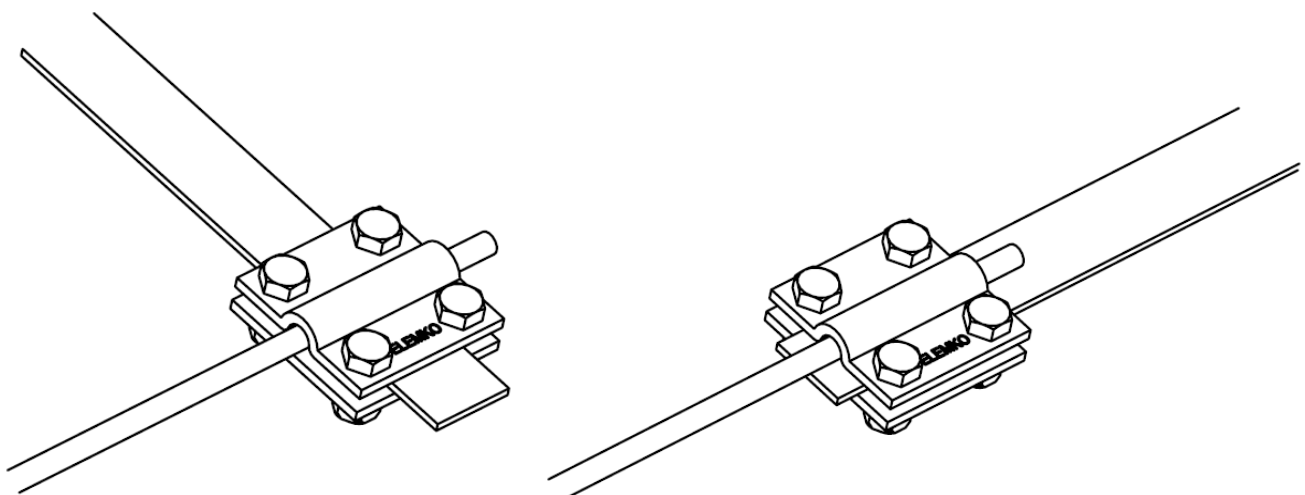
#### Manufacturing Quality Control

Manufacturing quality control according standard ISO 9001

#### Country of Origin

Greece

#### Unit: piece / Package: 20 pieces



\*Only for tin plated copper clamp and not simultaneously with Cu, St/eCu.

We reserve the right to introduce changes in the component due to technical evolution.