

PRODUCT DATA SHEET

LIGHTNING PROTECTION AND EARTHING SYSTEM COMPONENTS

Code: 62 28 308 (copper clamp) / 62 28 309 (tin plated copper clamp)

Description: Parallel clamp

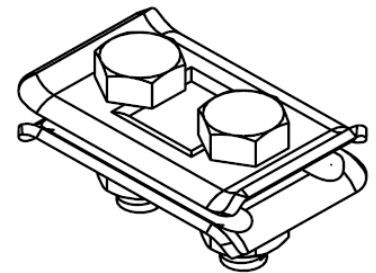
ed.02/2021

Application

Clamp, for connecting solid round or stranded conductors. Used in air termination system, down conductor system, earthing system.

Classification as per IEC EN 62561

- Heavy duty (H – 100 kA)
- General use
- Not intended to withstand a static mechanical load
- Non-permanent connection



Technical characteristics

Material	Copper (Cu) and/or tin plated copper (Cu/eSn)
Description	Is consisted of two plates with dimensions 55x40 mm.
Bolts / nuts	M8x25 mm, V2A stainless steel hexagon head bolts M8 V2A stainless steel nuts

Installation instructions

Conductor's dimensions	Ø8–10 mm (50–70 mm ²)
Connection arrangement	Parallel (B2)
Installation	Above ground, buried in ground, embedded in concrete
Can be connected above ground with	Cu, Cu/eSn, Stainless Steel (SSt), St/eCu, St/tZn*
Can be connected buried in ground with	Cu, Cu/eSn, Stainless Steel (SSt), St/eCu
Can be connected in concrete with	Cu, Cu/eSn, Stainless Steel (SSt), St/eCu, St/tZn
Tightening torque	13 Nm

Testing as per IEC EN 62561

The component has successfully passed the testing requirements of standard IEC EN 62561-1 "Lightning protection system components (LPSC) – Part 1 : Requirements for connection components".

Test report No **30198** by accredited laboratory as per ISO 17025

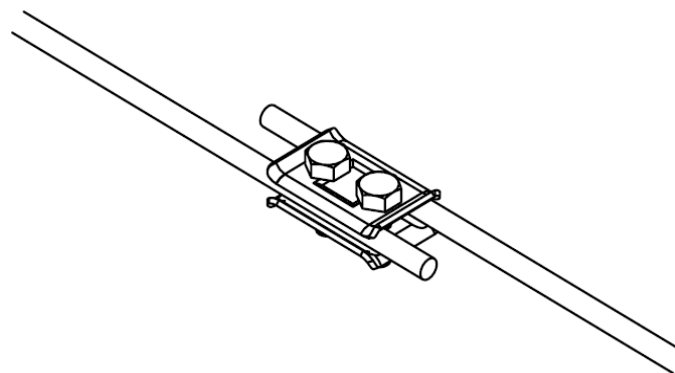
Manufacturing Quality Control

Manufacturing quality control according standard ISO 9001

Country of Origin

Greece

Unit: piece / Package: 50 pieces



*Only for tin plated copper clamp

We reserve the right to introduce changes in the component due to technical evolution.