

PRODUCT DATA SHEET

LIGHTNING PROTECTION AND EARTHING SYSTEM COMPONENTS

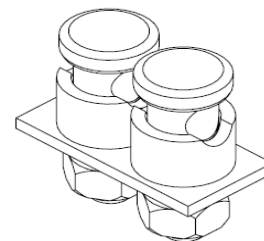
Code: 62 45 240
ed.02/2021
Description: Al – St/tZn double bonding clamp
Page 1 of 2

Application

The clamp can be used for connections of solid round or stranded conductor to air termination rod, contraction – expansion absorbing component, earth lead in rod.

Classification as per IEC EN 62561

- Heavy duty (H – 100 kA)
- General use
- Intended to withstand a static mechanical load
- Non-permanent connection



Technical characteristics

Material	Aluminium (plate – base of screw terminal) Hot dip galvanized steel (screw terminal – nut)
Description	Is consisted of a plate housing two special designed screw terminals M10x25 mm and the bases for the screw terminals. The tightening is achieved through two M10 nuts.

Installation instructions

Conductor's dimensions	Ø10 mm
Connection arrangement	Parallel (B2)
Installation	Above ground
Can be connected with	Al, SSt (Stainless Steel), St/tZn
Tightening torque	17 Nm

Testing as per IEC EN 62561

The component has successfully passed the testing requirements of standard IEC EN 62561-1 “Lightning protection system components (LPSC) – Part 1 : Requirements for connection components”.
Test report No **30718** by accredited laboratory as per ISO 17025

Manufacturing Quality Control

Manufacturing quality control according standard ISO 9001

Country of Origin

Greece

Unit: piece / Package: 50 pieces

See below typical applications of the clamp.

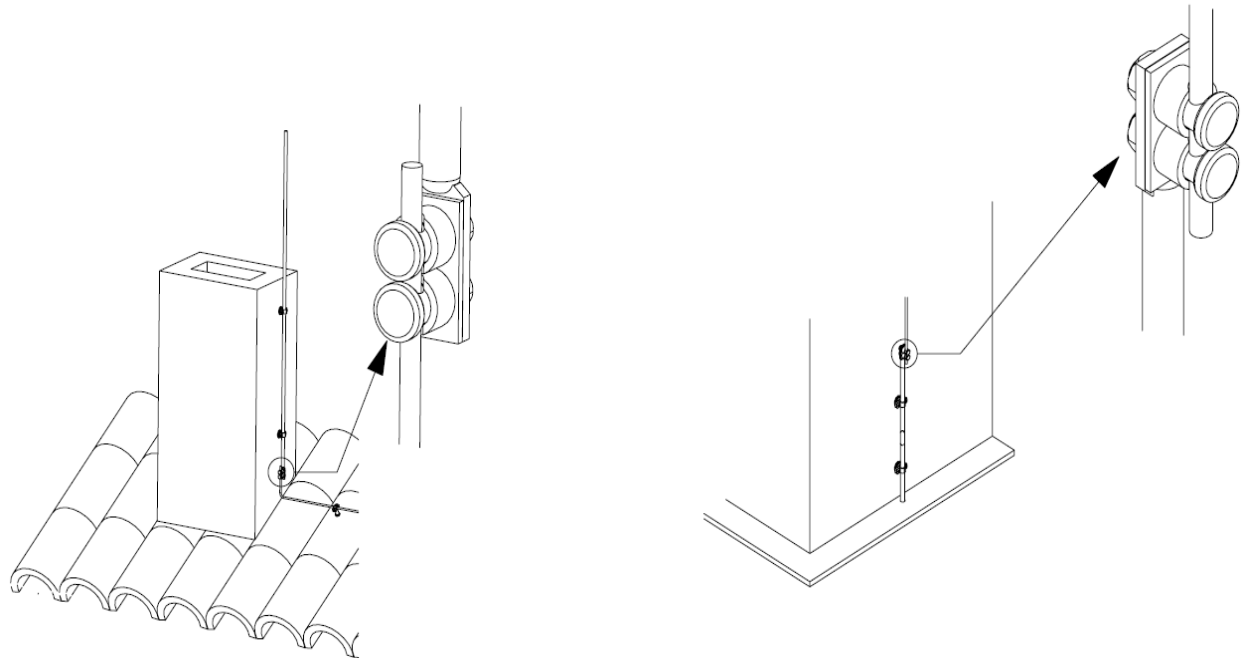
We reserve the right to introduce changes in the component due to technical evolution.

PRODUCT DATA SHEET**LIGHTNING PROTECTION AND EARTHING SYSTEM COMPONENTS****Code: 62 45 240**

ed.02/2021

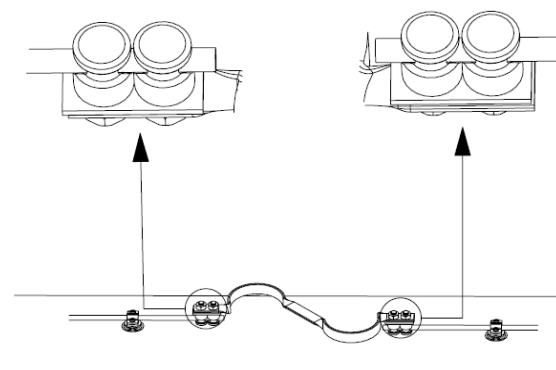
Description: Al – St/tZn double bonding clamp

Page 1 of 2



Air termination rod

Earth lead-in rod



Contraction – expansion absorbing component

Typical applications of the clamp