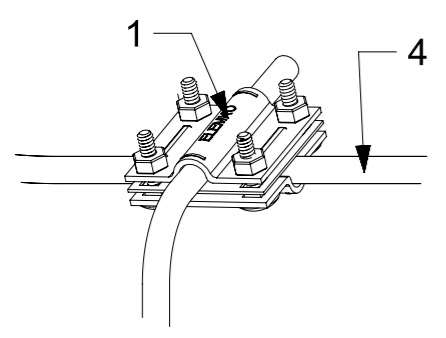
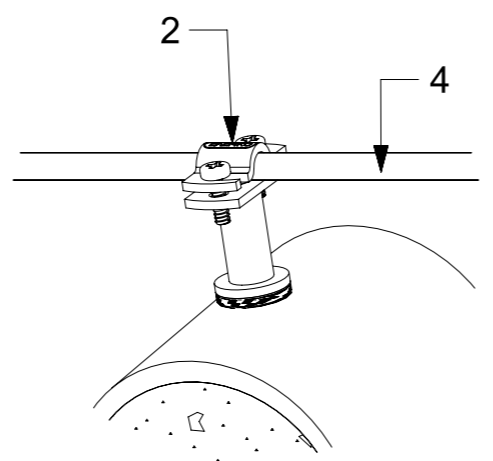


Detail C
 Conductor fastener on brick or concrete wall (3) with round conductor (4)

Detail D
 Round conductor (4)



Detail A
 "T" connection clamp (1) with round conductor (4)



Detail B
 Conductor fastener on tiles (2) with round conductor (4)

ITEM	DESCRIPTION	DETAIL	FOR CONDUCTOR			STANDARD
			Copper (Cu)	Steel - Aluminium (St/tZn - Al)	Stainless steel (SSt)	IEC EN
1	"T" connection clamp	A	62 21 810	62 01 810	62 61 810	62561 - 1
2	Conductor fastener on tiles	B	61 22 121	61 02 121	61 02 121	62561 - 4
3	Conductor fastener on brick	C	61 21 100	61 01 100	61 61 100	62561 - 4
4	Round conductor	A, B, C, D	64 20 008	64 00 108 - 64 40 008	64 60 008	62561 - 2



Title :
 Air termination system on tile roofs

FIRST ISSUED	November 2016
DRAWN BY	Dionysopoulos G.
CHECKED BY	Kokkinos D.
APPROVED BY	Kokkinos D.
SCALE	None
ISSUANCE DATE	November 2016

DRG NO. **009**
<http://www.elemko.gr> elemko@elemko.gr

All dimensions in mm