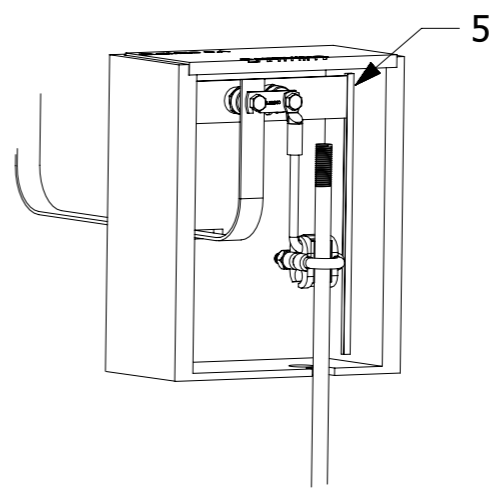
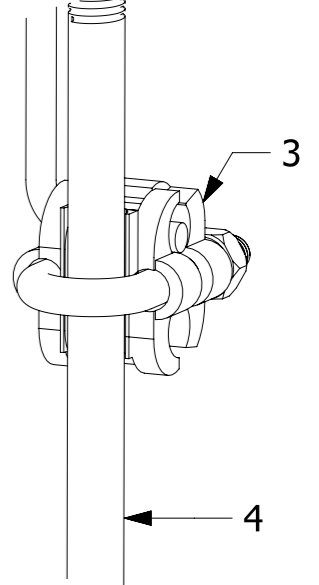


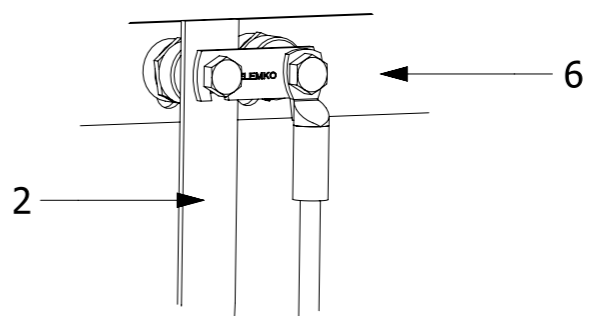
**Detail A**  
Tape conductor fastener (1)  
with tape conductor (2)



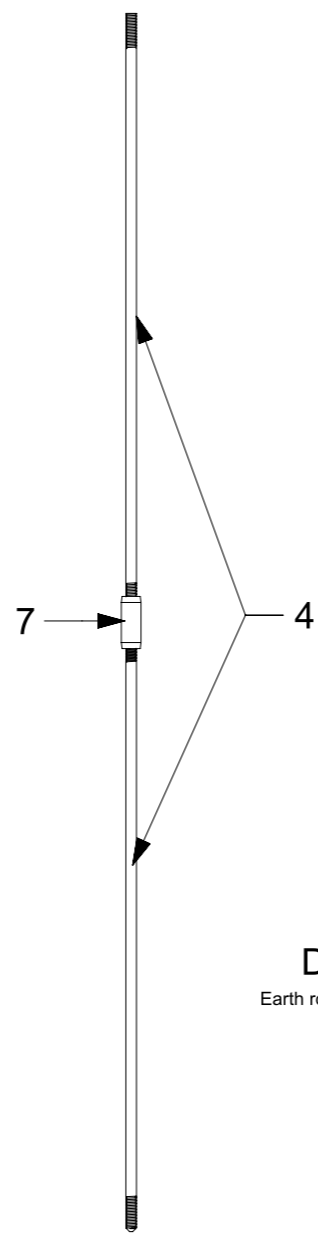
**Detail B**  
Earth pit (5)



**Detail C**  
Earth rod clamp (3) with  
earth rod (4)



**Detail D**  
Disconnecting link (6)  
with tape conductor (2)



**Detail E**  
Earth rod (4) with coupler (7)

ITEM	DESCRIPTION	DETAIL	FOR CONDUCTOR	STANDARD
			Copper (Cu)	IEC EN
1	Tape fastener	A	61 21 200	62561 - 4
2	Tape conductor	A,D	64 20 253	62561 - 2
3	Earth rod clamp	C	63 30 125	62561 - 1
4	Earth rod	C,E	63 21 730	62561 - 2
5	Earth pit	B	60 09 030	62561 - 5
6	Disconnecting link	D	66 56 000	62561 - 1
7	Coupler for earth rod	E	63 30 017	62561 - 1



Title:  
Typical earthing LPS system

FIRST ISSUED	March 2017
DRAWN BY	Dionysopoulos G.
CHECKED BY	Kokkinos D.
APPROVED BY	Kokkinos D.
SCALE	None
ISSUANCE DATE	March 2017

DRG NO.  
**044 - 0**

<http://www.elemko.gr> [elemko@elemko.gr](mailto:elemko@elemko.gr)

All dimensions in mm