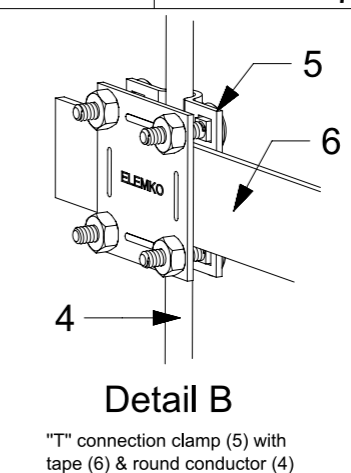
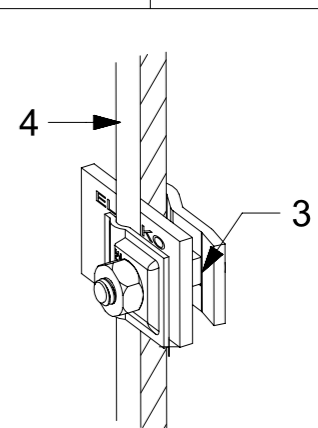


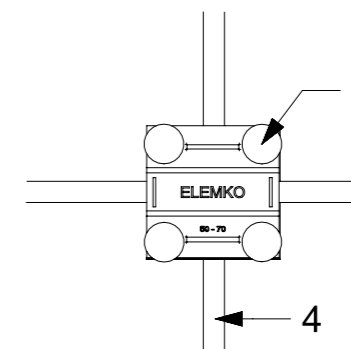
Detail A
"T" connection clamp (1) with wall earthing receptable (2), clamp fastener connecting to reinforcement (3) & round conductor (4)



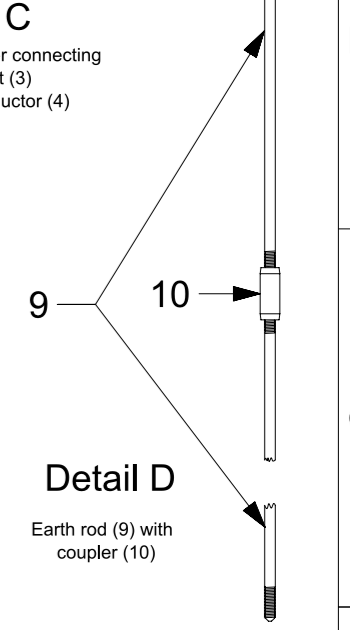
Detail B
"T" connection clamp (5) with tape (6) & round conductor (4)



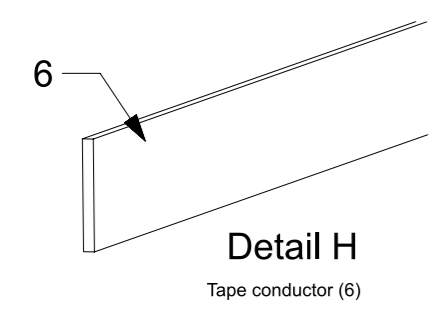
Detail C
Clamp - fastener connecting to reinforcement (3) with round conductor (4)



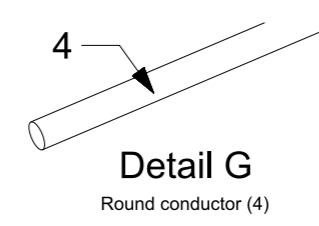
Detail E
"T" connection clamp (1) with round conductor (4)



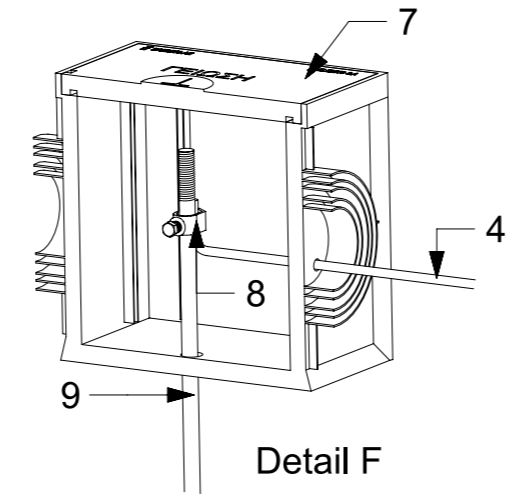
Detail D
Earth rod (9) with coupler (10)



Detail H
Tape conductor (6)



Detail G
Round conductor (4)



Detail F
Earth pit (7) with electrode clamp (8), earth rod (9) & round conductor (4)

All dimensions in mm

| ITEM | DESCRIPTION | DETAIL | FOR CONDUCTOR | | | STANDARD IEC EN |
|------|--------------------------|-------------|---------------|---------------------------------|-----------------------|--------------------|
| | | | Copper (Cu) | Steel - Aluminium (St/tZn - Al) | Stainless steel (SSt) | |
| 1 | "T" connection clamp | A,E | 62 21 810 | 62 01 810 | 62 61 810 | 62561 - 1 |
| 2 | Wall earthing receptable | A | 65 24 408 | 65 24 408 | 65 24 408 | 62561 - 1 |
| 3 | Clamp fastener to rebar | A,C | 62 01 004 | 62 01 004 | 62 01 004 | 62561 - 4 |
| 4 | Round conductor | A,B,C,E,F,G | 64 20 008 | 64 00 011 | 64 60 008 | 62561 - 2 |
| 5 | "T" connection clamp | B | 62 21 830 | 62 01 830 | 62 61 830 | 62561 - 1 |
| 6 | Tape conductor | B,H | 64 20 253 | 64 01 133 | 64 61 335 | 62561 - 2 |
| 7 | Earth pit | F | 60 90 030 | 60 90 030 | 60 90 030 | 62561 - 5 |
| 8 | Electrode clamp | F | 63 30 114 | 63 30 114 | 63 30 114 | 62561 - 1 |
| 9 | Earth rod | D,F | 63 21 412 | 63 21 412 | 63 21 412 | 62561 - 1&2 |
| 10 | Coupler | D | 63 30 014 | 63 30 014 | 63 30 014 | 62561 - 2 |

Title:
Earthing improvement for foundation earth electrode

| | | | |
|---------------|------------------|------------------------------------|-----|
| FIRST ISSUED | April 2017 | DRG NO. | 048 |
| DRAWN BY | Dionysopoulos G. | | |
| CHECKED BY | Kokkinos D. | www.elemko.gr elemko@elemko.gr | |
| APPROVED BY | Kokkinos D. | | |
| SCALE | None | SHEET 1 OF 1 | |
| ISSUANCE DATE | April 2017 | | |