

PRODUCT DATA SHEET

LIGHTNING PROTECTION AND EARTHING SYSTEM COMPONENTS

Code: 64 00 108

ed.02/2021

Description: Ø8mm hot dip galvanized steel solid round conductor

Application

Hot dip galvanized steel (St/tZn) solid round conductor used as air termination conductor and down conductor.

Technical characteristics

Diameter	8 mm
Cross sectional area	50 mm ²
Core material	Steel (St)
Coating material	Zinc (Zn)
Zinc coating weight	>350 gr/m ²
Type of coating method	Hot dip
Electrical resistivity	<0,25 μΩm
Tensile strength	290 – 510 N/mm ²



Installation instructions

Installation	Above ground, embedded in concrete
Can be connected above ground with	Al, Stainless Steel (SSt), St/tZn
Can be connected in concrete with	Cu, Cu-A (copper alloy), Cu/eSn, SSt (Stainless Steel), St/eCu, St/tZn
Straightening	For straightening can be used straightener, ELEMKO code 6900100

Testing as per IEC EN 62561

The component has successfully passed the testing requirements of standard IEC EN 62561-2 "Lightning protection system components (LPSC) – Part 2 : Requirements for conductors and earth electrodes".
 Test reports No **31317** by accredited laboratory as per ISO 17025

Manufacturing Quality Control

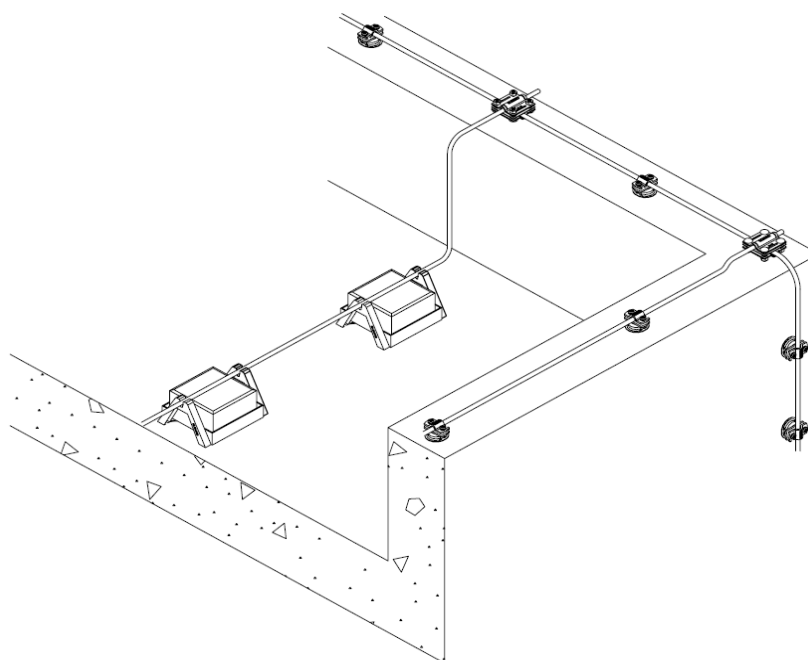
Manufacturing quality control according standard ISO 9001

Country of Origin

Greece

Needed accessories¹⁾

Clamps (e.g. 6201810), fasteners (e.g. 6101100, 6130104) for the spacing consult fasteners' installation instructions

Unit: meter / Package: 100 m approx. / 0,395 kg/m

¹⁾ See relevant data sheet

We reserve the right to introduce changes in the component due to technical evolution.