

PRODUCT DATA SHEET

LIGHTNING PROTECTION AND EARTHING SYSTEM COMPONENTS

Code: 64 02 200

Description: 1 point St/tZn earth lead in rod $\varnothing 16 \times 2000$ mm

ed.02/2021

Application

Hot dip galvanized (St/tZn) earth lead-in rod, used as part of a down conductor in order to provide protection against mechanical stresses.

Technical characteristics

Diameter	16 mm
Length	2000 mm
Material	Hot dip galvanized steel (St/tZn)
Zinc coating weight	>350 gr/m ²
Electrical resistivity	<0,25 $\mu\Omega$ m
Tensile strength	290 – 510 N/mm ²

Installation instructions

Installation	Above ground, buried in ground, embedded in concrete
Can be connected above ground with	Al, Stainless Steel (SSt), St/tZn
Can be connected buried in ground with	SSt (Stainless Steel), St/tZn
Can be connected in concrete with	Cu, Cu-A (copper alloy), Cu/eSn, SSt (Stainless Steel), St/eCu, St/tZn
Connection to conductors	By clamps (not included)



Testing as per IEC EN 62561

The component has successfully passed the testing requirements of standard IEC EN 62561-2 "Lightning protection system components (LPSC) – Part 2 : Requirements for conductors and earth electrodes".
Test report No **30707** by accredited laboratory as per ISO 17025

Manufacturing Quality Control

Manufacturing quality control according standard ISO 9001

Country of Origin

Greece

Needed accessories¹⁾

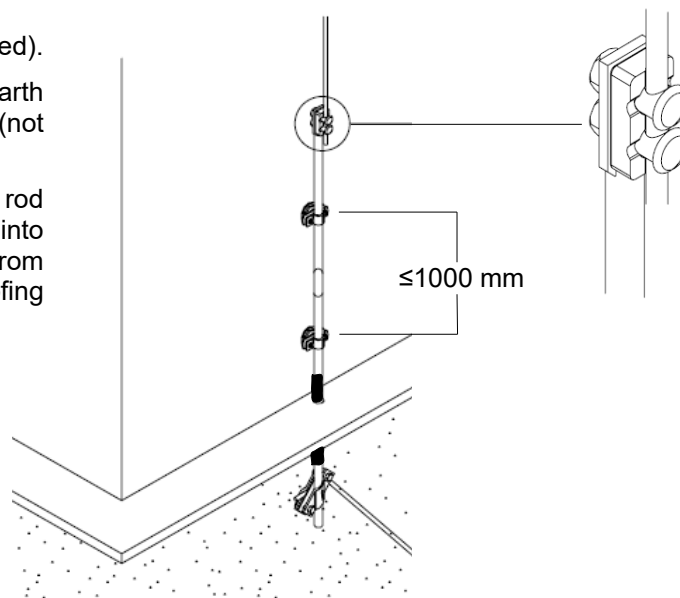
Double bonding clamp e.g. ELEMKO code 6205202, fasteners e.g. ELEMKO code 6101300, waterproofing anticorrosion tape e.g. ELEMKO code 6103303, clamp e.g. ELEMKO code 6201611.

Unit: piece / Package: 1 piece

Fixing with suitable fastener (not included).

Connection to down conductor and earth conductor through suitable clamps (not included).

The point where the earth lead-in rod inserts from the air into the ground or into concrete, has to be protected from corrosion, through waterproofing anticorrosion tape.



¹⁾ See relevant data sheets

We reserve the right to introduce changes in the component due to technical evolution.