

PRODUCT DATA SHEET

LIGHTNING PROTECTION AND EARTHING SYSTEM COMPONENTS

Code: 64 20 008 (copper) / 64 22 008 (tin plated copper)

Description: Ø8mm solid round conductor

ed.02/2021

Application

Copper or tin plated copper conductor used as air termination conductor, down conductor and earth conductor.

Technical characteristics

Diameter	8 mm
Cross sectional area	50 mm ²
Material	Copper (Cu) or tin plated copper (Cu/eSn)
Electrical resistivity	≤0,018 μΩm
Electrical resistance	≤0,387 Ω/km
Tensile strength	200 – 450 N/mm ²



Installation instructions

Installation	Above ground, buried in ground, embedded in concrete
Can be connected above ground with	Cu, Cu-A (copper alloy), Cu/eSn, Stainless Steel (SSt), St/eCu
Can be connected buried in ground with	Cu, Cu-A (copper alloy), Cu/eSn, Stainless Steel (SSt), St/eCu
Can be connected in concrete with	Cu, Cu-A (copper alloy), Cu/eSn, Stainless Steel (SSt), St/eCu, St/tZn
Straightening	For straightening can be used straightener, ELEMKO code 6900100

Testing as per IEC EN 62561

The component has successfully passed the testing requirements of standard IEC EN 62561-2 "Lightning protection system components (LPSC) – Part 2 : Requirements for conductors and earth electrodes".
Test report **No 30595** by accredited laboratory as per ISO 17025

Manufacturing Quality Control

Manufacturing quality control according standard ISO 9001

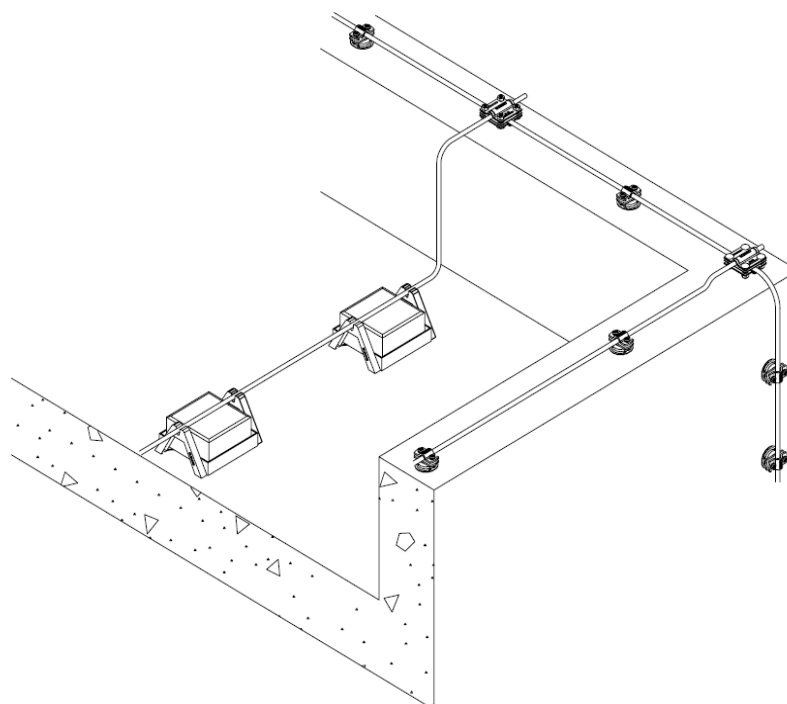
Country of Origin

Greece

Needed accessories¹⁾

Clamps (e.g. 6221810), fasteners (e.g. 6121100, 6130104) for the spacing consult fasteners' installation instructions

Unit: meter / Package: 70 m approx. / 0,450 kg/m



¹⁾ See relevant data sheet

We reserve the right to introduce changes in the component due to technical evolution.