

PRODUCT DATA SHEET

LIGHTNING PROTECTION AND EARTHING SYSTEM COMPONENTS

Code: 64 20 018

ed.02/2021

Description: Ø8mm copper plated steel solid round conductor

Application

Copper plated steel (St/eCu) solid round conductor used as air termination conductor, down conductor and earth conductor.

Technical characteristics

Diameter	8mm
Cross sectional area	50 mm ²
Core material	Steel
Coating material	Copper
Coating thickness	>250 µm
Type of coating method	Electrolytic (molecularly bonded onto the steel core)
Electrical resistivity	<0,25 µΩm
Tensile strength	290 – 510 N/mm ²



Installation instructions

Installation	Above ground, buried in ground, embedded in concrete
Can be connected above ground with	Cu, Cu-A (copper alloy), Cu/eSn, Stainless Steel (SSt), St/eCu
Can be connected buried in ground with	Cu, Cu-A (copper alloy), Cu/eSn, Stainless Steel (SSt), St/eCu
Can be connected in concrete with	Cu, Cu-A (copper alloy), Cu/eSn, Stainless Steel (SSt), St/eCu, St/tZn
Straightening	For straightening can be used straightener, ELEMKO code 6900100

Testing as per IEC EN 62561

The component has successfully passed the testing requirements of standard IEC EN 62561-2 "Lightning protection system components (LPSC) – Part 2 : Requirements for conductors and earth electrodes".
 Test report No **30793 & 31316** by accredited laboratory as per ISO 17025

Manufacturing Quality Control

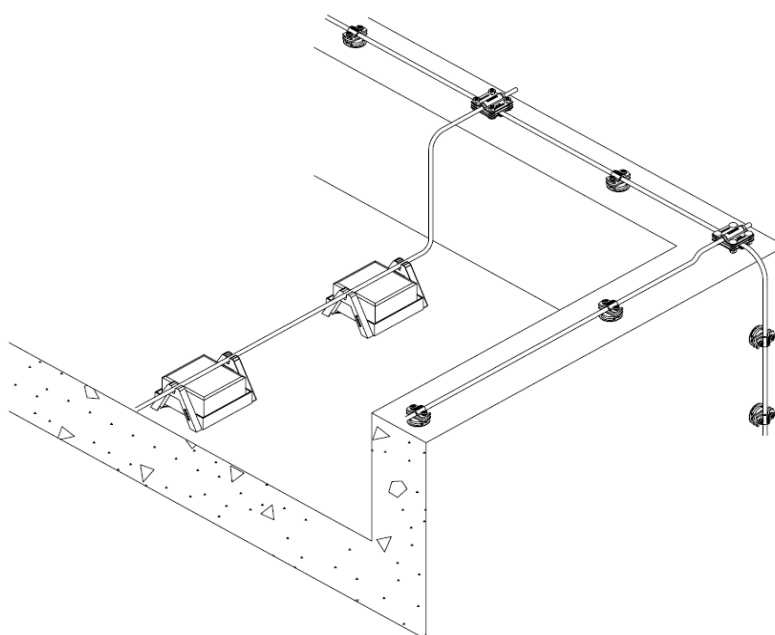
Manufacturing quality control according standard ISO 9001

Country of Origin

Greece

Needed accessories¹⁾

Clamps (e.g. 6221810), fasteners (e.g. 6021100, 6130104) for the spacing consult fasteners' installation instructions

Unit: meter / Package: 100 m approx. / 0,436 kg/m

¹⁾ See relevant data sheet

We reserve the right to introduce changes in the component due to technical evolution.