

## PRODUCT DATA SHEET

### LIGHTNING PROTECTION AND EARTHING SYSTEM COMPONENTS

**Code: 64 40 008**

ed.02/2021

**Description: Ø8mm aluminium solid round conductor**

#### Application

Aluminium (Al) solid round conductor used as air termination conductor and down conductor.

#### Technical characteristics

Diameter	8 mm
Cross sectional area	50 mm <sup>2</sup>
Material	Aluminium (Al)
Electrical resistivity	≤0,036 μΩm
Tensile strength	120 – 280 N/mm <sup>2</sup>



#### Installation instructions

Installation	Above ground
Can be connected with	Al, Stainless Steel (SSt), St/tZn

#### Testing as per IEC EN 62561

The component has successfully passed the testing requirements of standard IEC EN 62561-2 "Lightning protection system components (LPSC) – Part 2 : Requirements for conductors and earth electrodes".

Test report No **30596** by accredited laboratory as per ISO 17025

#### Manufacturing Quality Control

Manufacturing quality control according standard ISO 9001

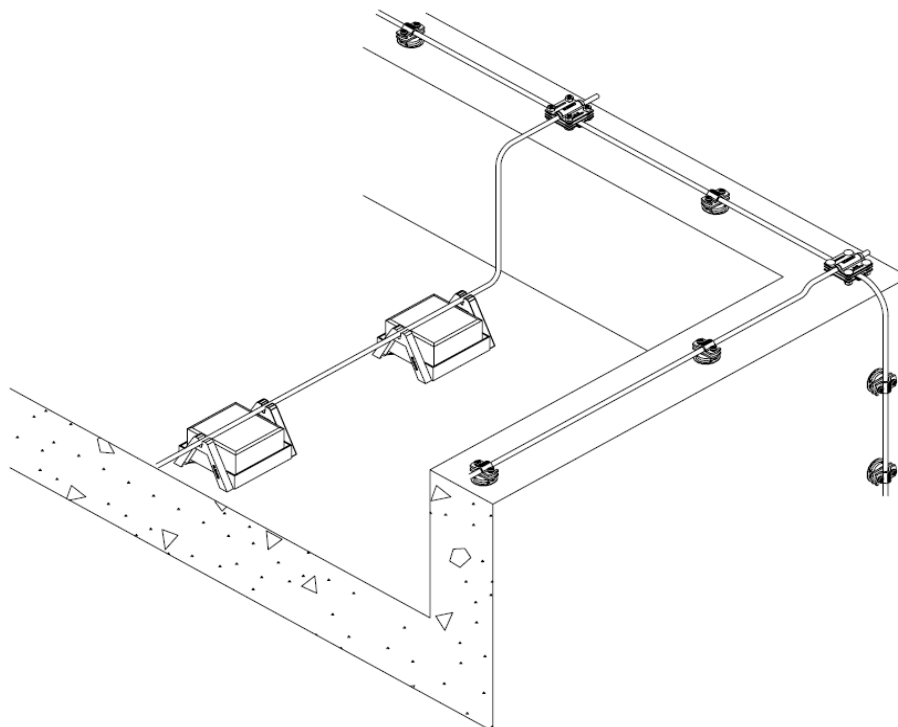
#### Country of Origin

Greece

#### Needed accessories<sup>1)</sup>

Clamps (e.g. 6201810), fasteners (e.g. 6141100, 6130104) for the spacing consult fasteners' installation instructions

**Unit: meter / Package: 400 m approx. / 0,135 kg/m**



<sup>1)</sup> See relevant data sheet

We reserve the right to introduce changes in the component due to technical evolution.