

PRODUCT DATA SHEET
LIGHTNING PROTECTION AND EARTHING SYSTEM COMPONENTS

Code: 64 40 009

ed.02/2021

Description: Ø9mm aluminium solid round conductor

Application

Aluminium (Al) solid round conductor used as air termination conductor and down conductor.

Technical characteristics

| | |
|------------------------|-----------------------------|
| Diameter | 9 mm |
| Cross sectional area | 64 mm ² |
| Material | Aluminium (Al) |
| Electrical resistivity | ≤0,036 μΩm |
| Tensile strength | 120 – 280 N/mm ² |



Installation instructions

| | |
|-----------------------|-----------------------------------|
| Installation | Above ground |
| Can be connected with | Al, Stainless Steel (SSt), St/tZn |

Testing as per IEC EN 62561

The component has successfully passed the testing requirements of standard IEC EN 62561-2 "Lightning protection system components (LPSC) – Part 2 : Requirements for conductors and earth electrodes".
Test report No **30976** by accredited laboratory as per ISO 17025

Manufacturing Quality Control

Manufacturing quality control according standard ISO 9001

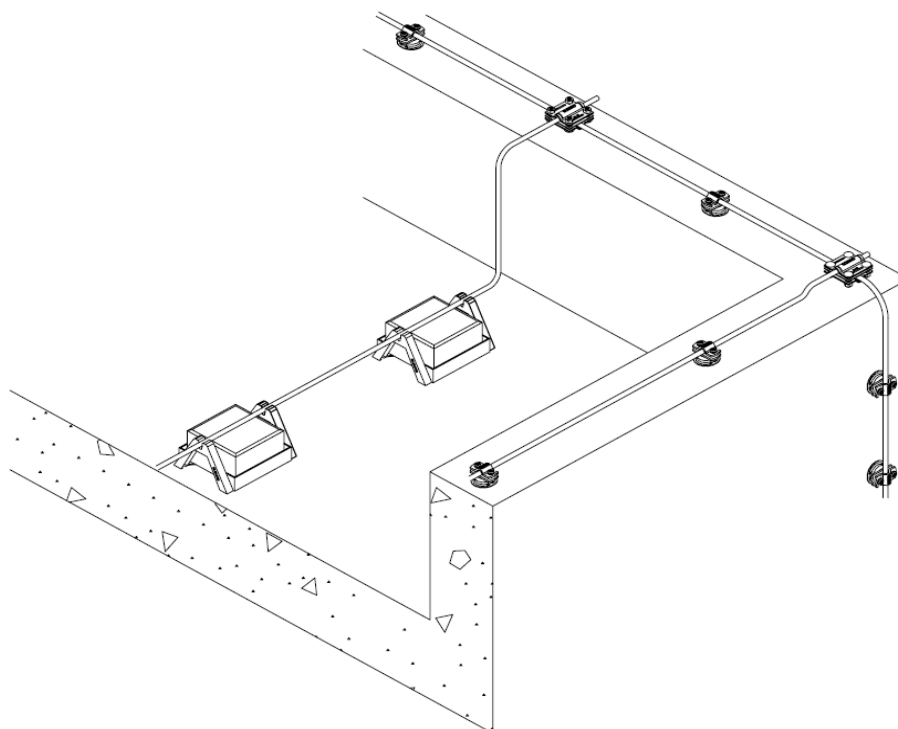
Country of Origin

Greece

Needed accessories¹⁾

Clamps (e.g. 6201810), fasteners (e.g. 6141100, 6130104) for the spacing consult fasteners' installation instructions

Unit: meter / Package: 200 m approx. / 0,172 kg/m



¹⁾ See relevant data sheet

We reserve the right to introduce changes in the component due to technical evolution.