

**PRODUCT DATA SHEET**  
**LIGHTNING PROTECTION AND EARTHING SYSTEM COMPONENTS**

**Code: 61 73 202**

**Description: Sealing washer for spacer**

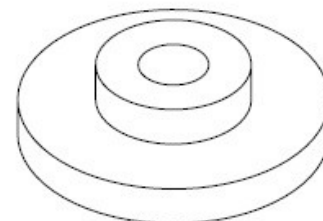
ed.01/2021

**Application**

Washer, for waterproofing, used with fasteners equipped with plastic spacer.

**Technical characteristics**

Material	PVC
Diameter	21 mm
Height	6,3 mm



**Testing as per IEC EN 62561**

The component has successfully passed the testing requirements of standard IEC EN 62561-4 "Lightning protection system components (LPSC) – Part 4 : Requirements for conductor fasteners" (clause 6.3.3, ultraviolet light test according to ISO 4892-3).

Test report No **31723** by accredited laboratory as per ISO 17025

**Manufacturing Quality Control**

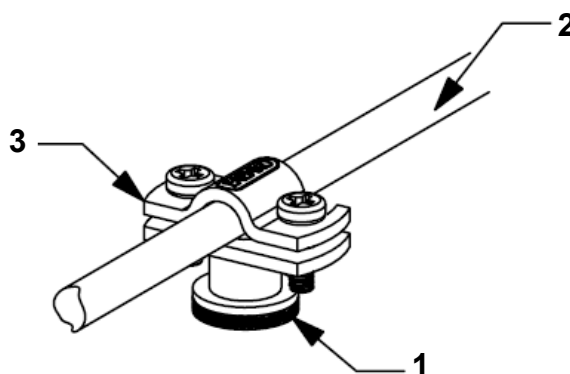
Manufacturing quality control according standard ISO 9001

**Country of Origin**

Greece

**Unit: piece / Package: 100 pieces**

- 1. Sealing washer
- 2. Conductor (not included)
- 3. Fastener (not included)



We reserve the right to introduce changes in the component due to technical evolution.