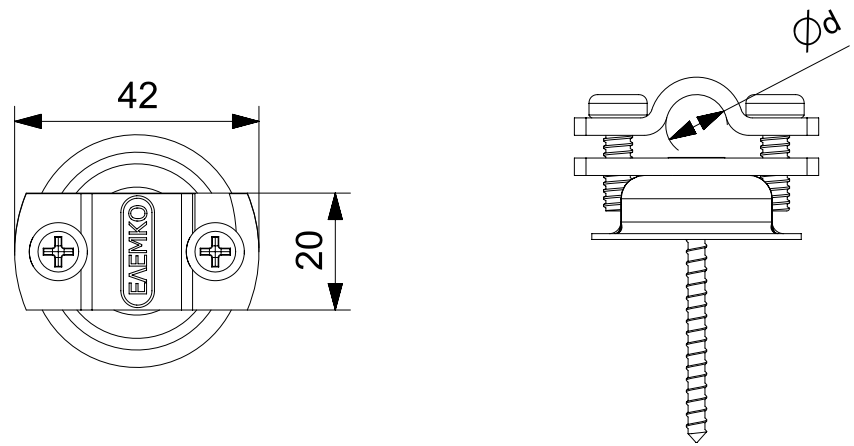


1 2 3 4 5 6

A

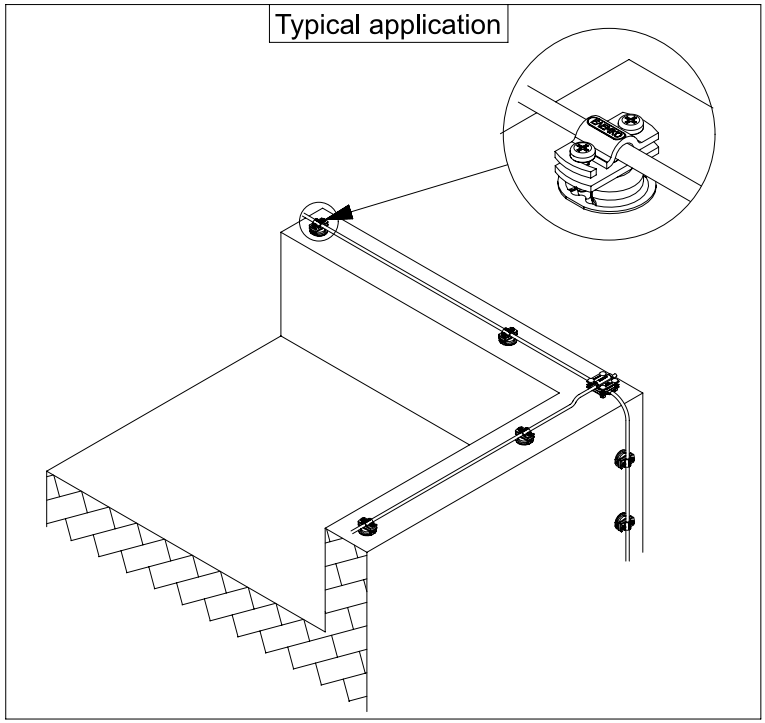


Description

Conductor fastener, tested according to IEC EN 62561-4, for use in air termination system, down conductor system. Suitable for fastening round or stranded conductor, on brick or concrete walls or on metallic surfaces. It is equipped with a wood fixing screw and a metallic spacer formed to receive the PVC sealing washer (not included). The conductor's tightening is achieved by two stainless steel (V2A) screws M6x16 mm.

B

Typical application



Description	Raw material	ϕd	Item code	Optional conductor (Round)
Conductor's fastener with metallic spacer	St/tZn	6	61 01 106	64 22 006
Conductor's fastener with metallic spacer	St/tZn	8 - 10	61 01 100	64 00 108
Conductor's fastener with metallic spacer	Al	8 - 10	61 41 100	64 40 008
Conductor's fastener with metallic spacer	Cu	6	61 21 106	64 20 006
Conductor's fastener with metallic spacer	Cu	8 - 10	61 21 100	64 20 008
Conductor's fastener with metallic spacer	SSt/V2A	8 - 10	61 61 100	64 60 010

C

D



All dimensions in mm

1 2 3 4 5 6 A4



Title:
Conductor fastener on brick or concrete walls

FIRST ISSUED	June 2016
DRAWN BY	Dionysopoulos G.
CHECKED BY	Kokkinos N.
APPROVED BY	Kokkinos N.
SCALE	None
ISSUANCE DATE	July 2021

Model
61 x1 10x
 www.elemko.gr  elemko@elemko.gr