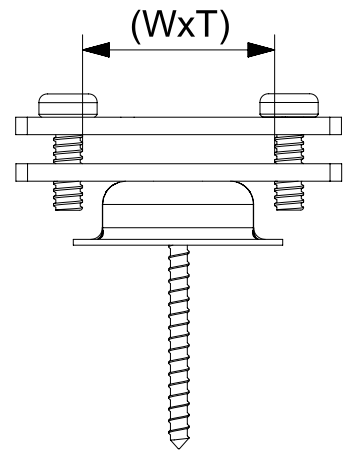
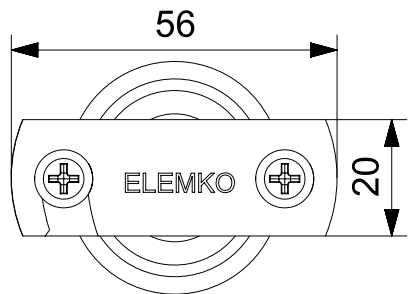


1 2 3 4 5 6

A

A



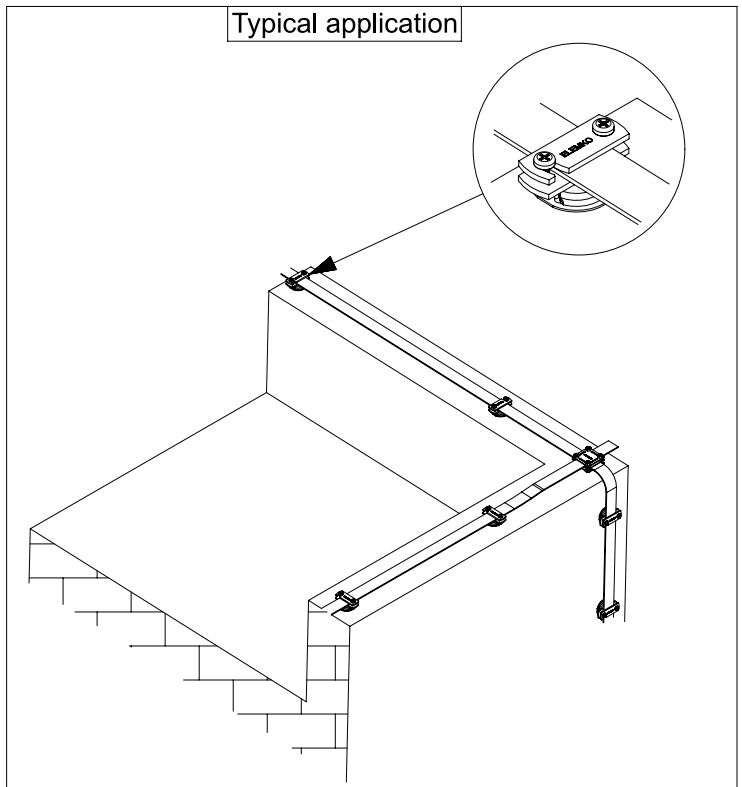
**Description**

Fastener, tested according to IEC EN 62561-4 for use in air termination and down conductor system. Suitable for fastening tape conductor on brick or concrete walls or on metallic surfaces. It is equipped with a wood fixing screw and a metallic spacer formed to receive the PVC sealing washer (not included). The conductor's tightening is achieved by two stainless steel (V2A) screws M6x16 mm.

B

B

**Typical application**




Description	Raw material	(WxT)*	Item code	Optional conductor (Tape)
Conductor's fastener with metallic spacer	St/tZn	30x6	61 01 200	64 01 133
		40x6	61 01 240	64 01 143
Conductor's fastener with metallic spacer	Cu	30x6	61 21 200	64 20 330
		40x6	61 21 240	64 20 330
Conductor's fastener with metallic spacer	SSt/V2A	30x6	61 61 200	64 61 335



Title:  
Tape fastener on a concrete or brick wall

FIRST ISSUED	June 2016
DRAWN BY	Dionysopoulos G.
CHECKED BY	Kokkinos N.
APPROVED BY	Kokkinos N.
SCALE	None
ISSUANCE DATE	July 2021

Model  
61 x1 2xx  
[www.elemko.gr](http://www.elemko.gr)  [elemko@elemko.gr](mailto:elemko@elemko.gr)

\*Maximum dimensions  
All dimensions in mm

1 2 3 4 5 A4

D

D

C

C