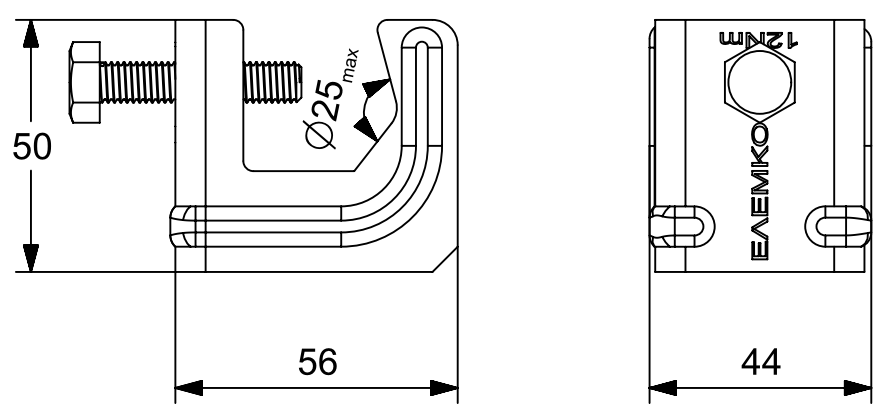
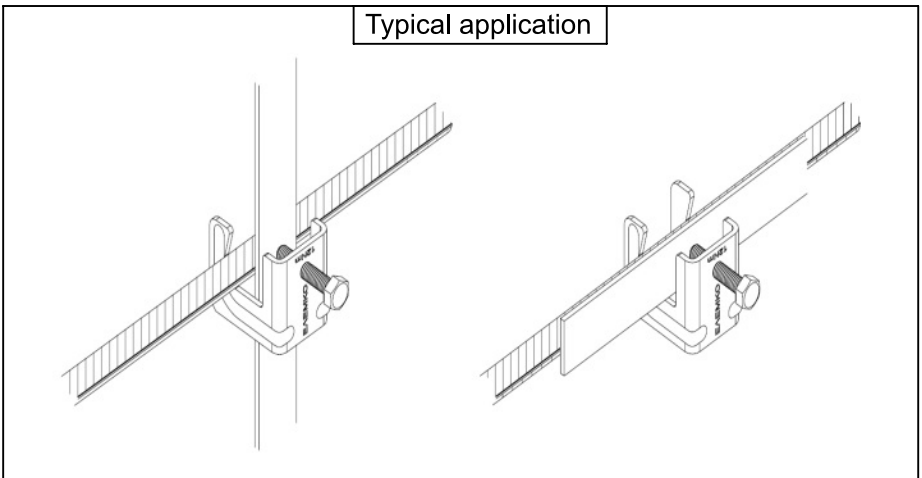


1	2	3	4	5	6
A	<div data-bbox="1456 95 1657 143" style="border: 1px solid black; padding: 2px; display: inline-block;">Description</div> <p data-bbox="1120 175 2060 367">Clamp – fastener, tested according to IEC 62561-1, class “H” (Heavy duty), for electrical connection – fastening of reinforcement rebars up to Ø25 mm to tape conductors 20–30mm & up to 4 mm thickness. It is made out of electroplated zinc steel (St/eZn). The tightening is achieved by one screw M8x40 mm</p>				
B					
C	<div data-bbox="537 909 806 957" style="border: 1px solid black; padding: 2px; display: inline-block;">Typical application</div> 				
D	<div data-bbox="134 1484 425 1524">All dimensions in mm</div>				
1	2	3	4	5	A4

Description		Raw material	Item code
Clamp-fastener-bulldog		St/tZn	62 01 006
		<div data-bbox="1579 1165 1657 1197">Title:</div> <p data-bbox="1680 1228 2038 1268">Clamp - fastener - bulldog</p>	
FIRST ISSUED	June 2016	Model	
DRAWN BY	Dionysopoulos G.		
CHECKED BY	Kokkinos N.	62 01 006	
APPROVED BY	Kokkinos N.	 www.elemko.gr	 elemko@elemko.gr
SCALE	None	SHEET 1 OF 1	
ISSUANCE DATE	July 2021		