

## PRODUCT DATA SHEET

### LIGHTNING PROTECTION AND EARTHING SYSTEM COMPONENTS

**Code: 62 24 300**

ed.02/2021

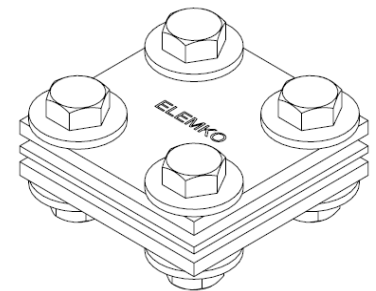
**Description: Tape conductor copper connector**

#### Application

Clamp, for connecting tape conductors. Used in earthing system.

#### Classification

- Short circuit withstand capability 10 kA rms for 1s
- I<sub>peak</sub> 25 kA for 0,5s



#### Technical characteristics

Material	Copper (Cu)
Description	Is consisted of two external plates with dimensions 60x60 mm and one intermediate plate.
Bolts / nuts	M8x30 mm, V2A stainless steel hexagon head bolts M8 V2A stainless steel nuts M8 V2A stainless steel washers

#### Installation instructions

Tape's dimensions	20 – 30 mm & up to 5 mm thickness
Arrangements	Cross connection Parallel connection
Can be connected with	Cu, Cu/eSn
Tightening torque	13 Nm

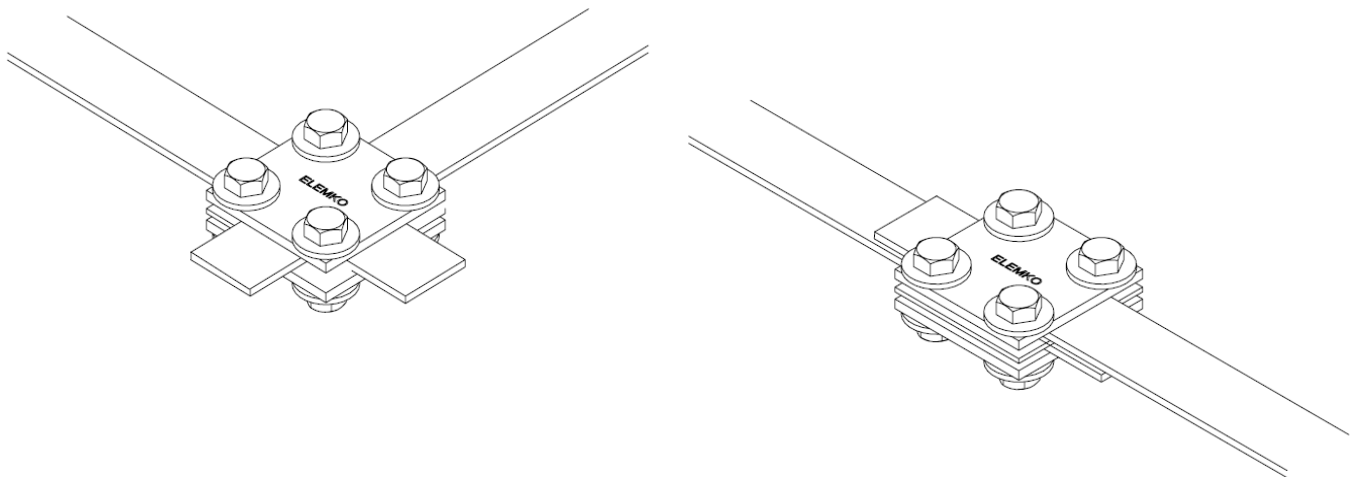
#### Manufacturing Quality Control

Manufacturing quality control according standard ISO 9001

#### Country of Origin

Greece

**Unit: piece / Package: 20 pieces**



We reserve the right to introduce changes in the component due to technical evolution.