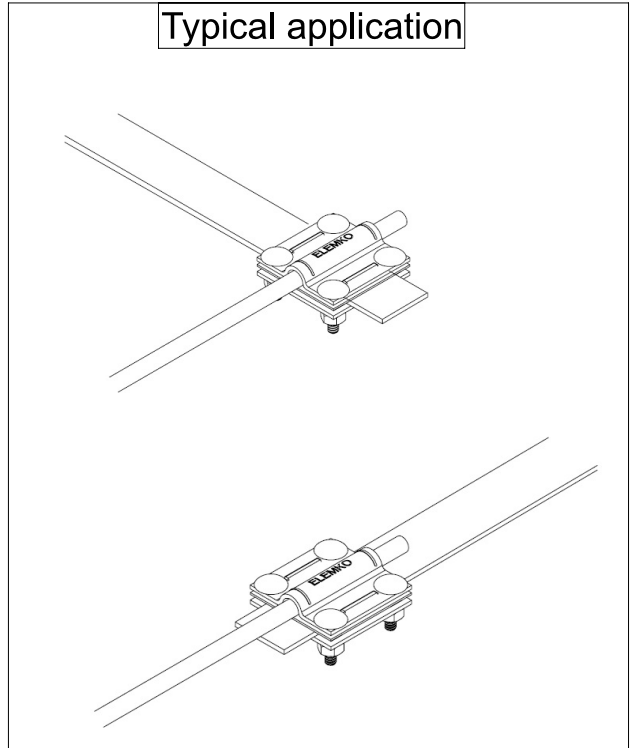





**Description**

Clamp, tested according to IEC 62561-1, Class “H” (Heavy duty) for connecting solid round ( $\phi 8-10\text{mm}$ ) or stranded ( $50-70 \text{ mm}^2$ ) conductors to tape conductor (20-30mm and up to 5mm thickness). It is made out of stainless steel (V2A). The clamp is composed out of two plates with dimensions 50x50x2mm and one intermediate plate with dimensions 50x50x1,5 mm. The tightening is achieved by four stainless steel (V2A) carriage bolts M6x25mm and stainless steel (V2A) nuts M6.

**Typical application**



Description	Raw material	Item code	d / (WxT)*	Optional conductor (Round or Stranded)	Optional conductor (Tape)
Conductor connection clamp	SSStV2A	62 61 831	8-10 / 25-30x5	64 20 108	64 20 330

		Title:	
		Conductor connection clamp	
FIRST ISSUED	June 2016	Model	
DRAWN BY	Dionysopoulos G.		
CHECKED BY	Kokkinos N.		
APPROVED BY	Kokkinos N.	62 61 831	
SCALE	None	 <a href="http://www.elemko.gr">www.elemko.gr</a>  <a href="mailto:elemko@elemko.gr">elemko@elemko.gr</a>	
ISSUANCE DATE	July 2021	SHEET 1 OF 1	

\*Maximum dimensions  
All dimensions in mm