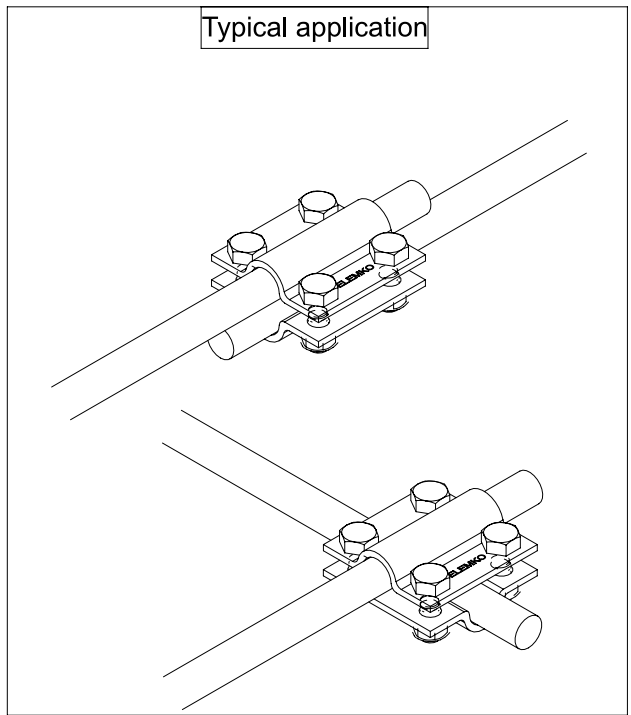


**Description**

Clamp tested according to IEC 62561-1, Class "H" (Heavy duty), for connecting round rods. The clamp composed out of two plates with dimensions 60x60x4mm. The tightening is achieved by four screws M8x25 mm and four nuts M8

**Typical application**



Description	Raw material	Item code	$\phi d_1 / d_2$	Optional conductor (Round)
Cross and 'T' connector	St/tZn	62 01 616	16 / 16	64 00 600 / 64 00 600
		62 01 620	16 / 20	64 00 600 / 63 02 015
		62 01 220	20 / 20	63 02 015 / 63 02 015
	Cu	62 21 616	16 / 16	63 21 616 / 63 21 616
		62 21 620	16 / 20	63 21 616 / 64 20 019
		62 21 220	20 / 20	64 20 019 / 64 20 019
	Cu/eSn	62 21 617	16 / 16	63 21 616 / 63 21 616
		62 21 621	16 / 20	63 21 616 / 64 20 019
		62 21 221	20 / 20	64 20 019 / 64 20 019



Title:  
Cross and 'T' connector

FIRST ISSUED	June 2016
DRAWN BY	Dionysopoulos G.
CHECKED BY	Kokkinos N.
APPROVED BY	Kokkinos N.
SCALE	None
ISSUANCE DATE	July 2021

Model	62 x1 6xx
www.elemko.gr	elemko@elemko.gr
SHEET 1 OF 1	

All dimensions in mm