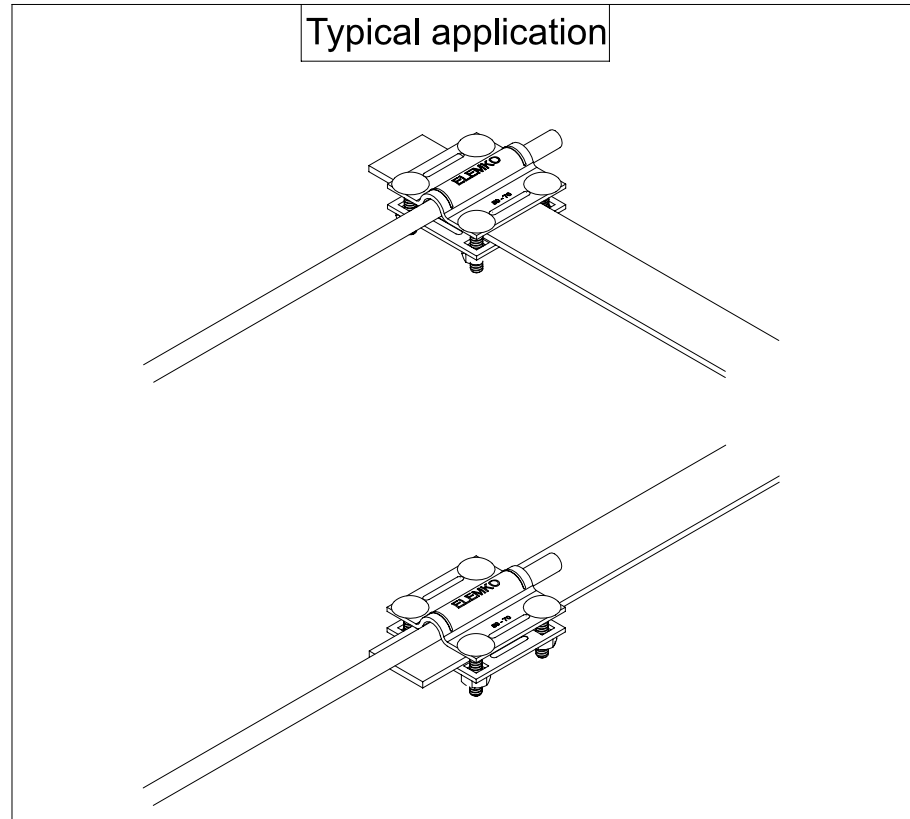


Description

Conductor connection clamp, tested according to IEC EN 62561-1, Class "H" (Heavy duty), for use in air termination, down conductor and earthing system. The clamp is suitable for connecting solid round ($\phi 8-10\text{mm}$) or stranded ($50-70 \text{ mm}^2$) conductors to tape conductor ($20-30\text{mm}$ and up to 5mm thickness). The clamp is composed out of two plates with dimensions $50 \times 50 \times 2\text{mm}$. The tightening is achieved by four stainless steel (V2A) carriage bolts $M6 \times 25\text{mm}$ and stainless steel (V2A) nuts $M6$.

Typical application




Description	Raw material	Item code	$\phi d / (W \times T)^*$	Optional conductor (Round)	Optional conductor (Tape)
Conductor connection clamp	Cu	62 21 830	8-10 / 25-30x5	64 20 008	64 20 330
	Cu/eSn	62 21 831	8-10 / 25-30x5	64 22 008	64 22 330
	St/tZn	62 01 830	8-10 / 25-30x5	64 00 118	64 01 333
	SSt/V2A	62 61 830	8-10 / 25-30x5	64 60 010	64 61 330



Title:
Conductor connection clamp

FIRST ISSUED	June 2016
DRAWN BY	Dionysopoulos G.
CHECKED BY	Kokkinos N.
APPROVED BY	Kokkinos N.
SCALE	None
ISSUANCE DATE	July 2021

Model
62 x1 83x

www.elemko.gr  elemko@elemko.gr

*Maximum dimensions
All dimension in mm