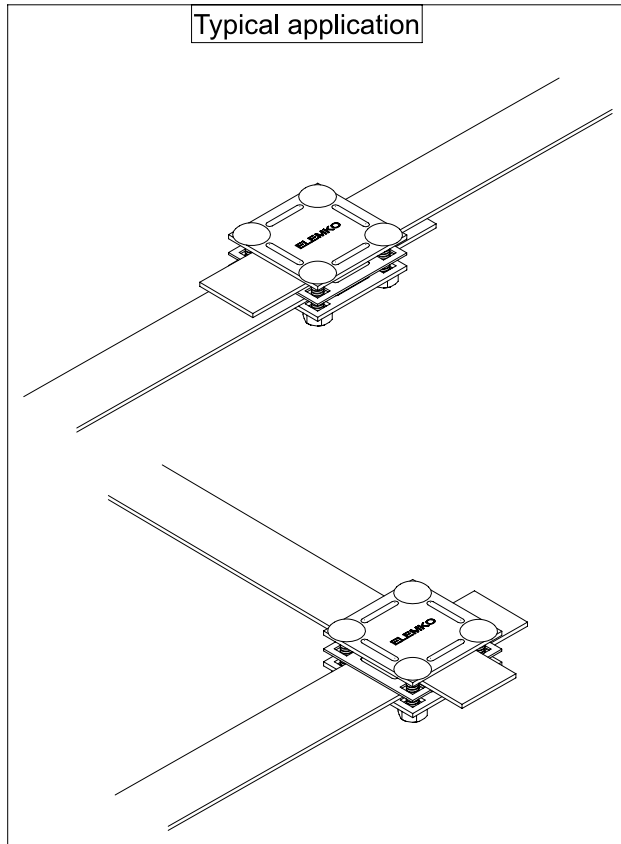


Description

Clamp, tested according IEC EN 62561-1, Class "H" (Heavy duty), for use in air termination, down conductor and earthing system. The clamp is suitable for connecting tape conductors 20-30 mm & up to 5 mm thickness. The clamp is composed out of two external plates with dimensions 50x50x2 mm and one intermediate plate with dimensions 50x50x1,5mm. The tightening is achieved by four stainless steel (V2A) carriage bolts M6x25mm and four stainless steel (V2A) nuts M6.

Typical application



*Maximum dimensions
All dimensions in mm

Description	Raw material	(WxT)*	Item code	Optional conductor (Tape)
Tape connection clamp	St/tZn	25 - 30x5	62 01 833	64 01 133
Tape connection clamp	Cu	25 - 30x5	62 21 833	64 20 330
Tape connection clamp	SSt/V2A	25 - 30x5	62 61 833	64 61 335



Title:

Tape connection clamp

FIRST ISSUED June 2016

DRAWN BY Dionysopoulos G.

CHECKED BY Kokkinos N.

APPROVED BY Kokkinos N.

SCALE None

ISSUANCE DATE July 2021

Model

62 x1 833



SHEET 1 OF 1

1

2

3

4

5

6

A

B

C

D

A

B

C

D

1

2

3

4

5

A4