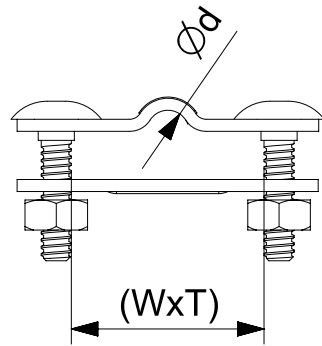
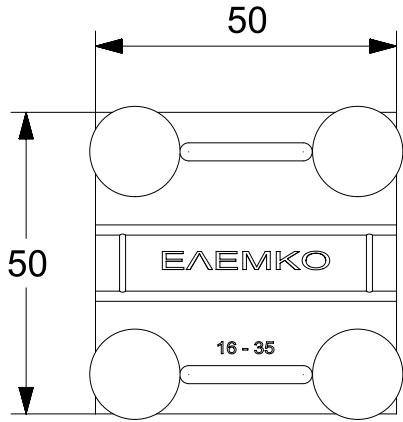


1 2 3 4 5 6

A



Description

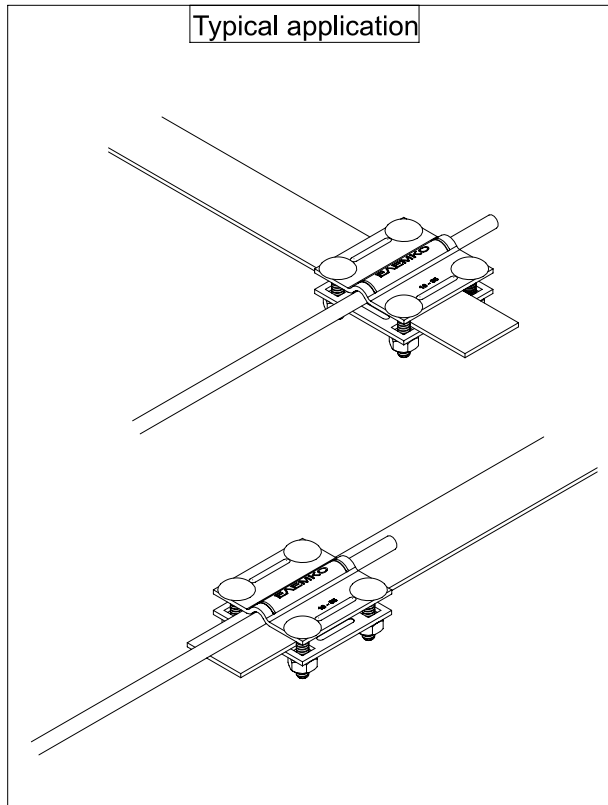
Clamp tested according to IEC 62561-1, Class "H" (Heavy duty), for connecting tape conductors 20-30 mm & up to 5 mm thickness and 16-35mm² conductors. The clamp is composed out of two external plates with dimensions 50x50x2 mm. The tightening is achieved by four stainless steel (V2A) carriage bolts M6x25 mm and four stainless steel (V2A) nuts M6.

A

B

B

Typical application



Description	Raw material	Item code	d / (WxT)	Optional conductor (Round or stranded)	Optional conductor (Tape)
Conductor connection clamp	Cu	62 21 835	16-35 / 25-30x5	64 20 135	64 20 330
	Cu/eSn	62 21 834	16-35 / 25-30x5	64 22 135	64 22 330
	St/tZn	62 01 835	16-35 / 25-30x5	64 22 116	64 01 333
	SSt/V2A	62 61 835	16-35 / 25-30x5	64 20 135	64 61 330



Title:

Conductor connection clamp

FIRST ISSUED June 2016

DRAWN BY Dionysopoulos G.

CHECKED BY Kokkinos N.

APPROVED BY Kokkinos N.

SCALE None

ISSUANCE DATE July 2021

Model

62 x1 83x



SHEET 1 OF 1

All dimension in mm

C

C

D

D

1 2 3 4 5 A4