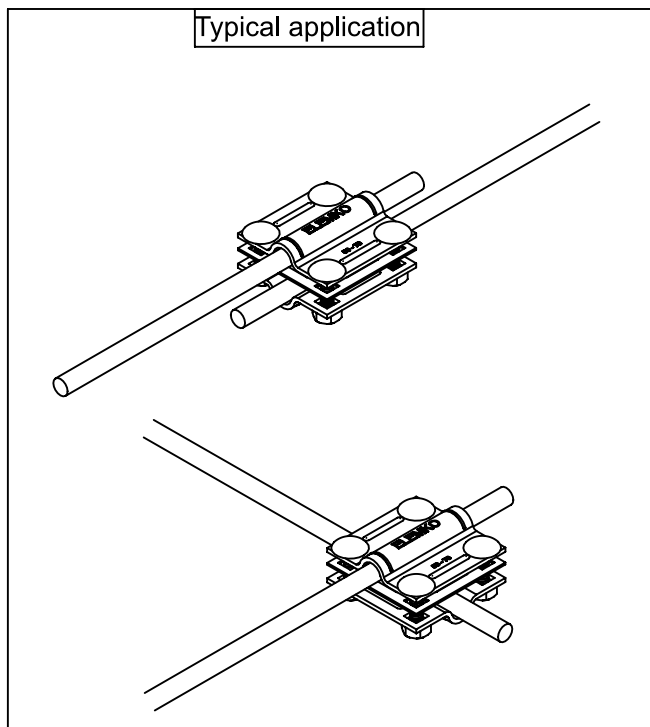


Description

Clamp, tested according to IEC EN 62561-1, Class "N" (Normal duty), for use in air termination, down conductor and earthing system. The clamp is suitable for connecting solid round or stranded conductors. The clamp is composed out of two external plates with dimensions 50x50x2mm and one intermediate plate with dimensions 50x50x1,5 mm. The tightening is achieved by four stainless steel (V2A) carriage bolts M6x25 mm and stainless steel (V2A) nuts M6.

Typical application



Description	Raw material	Item code	d_1 / d_2	Optional conductor (Round or stranded)
Cross and 'T' connector	St/tZn	62 01 836	16-35 mm ² / 16-35mm ²	64 00 108 / 64 00 108
		62 01 837	16-35 mm ² / 8-10 mm	64 00 108 / 64 00 011
	Cu	62 21 836	16-35 mm ² / 16-35mm ²	64 20 135 / 64 20 135
		62 21 837	16-35 mm ² / 8-10 mm	64 20 135 / 64 20 170
	Cu/eSn	62 21 811	8-10 mm / 50-70mm ²	64 22 108 / 64 22 170
	SSt/V2A	62 61 836	16-35 mm ² / 16-35mm ²	64 20 135 / 64 20 135
62 61 837		16-35 mm ² / 8-10 mm	64 20 135 / 64 20 170	



Title:

Cross and 'T' connector

FIRST ISSUED June 2016

DRAWN BY Dionysopoulos G.

CHECKED BY Kokkinos N.

APPROVED BY Kokkinos N.

SCALE None

ISSUANCE DATE July 2021

Model

62 x1 8xx

www.elemko.gr

elemko@elemko.gr

SHEET 1 OF 1

All dimensions in mm