

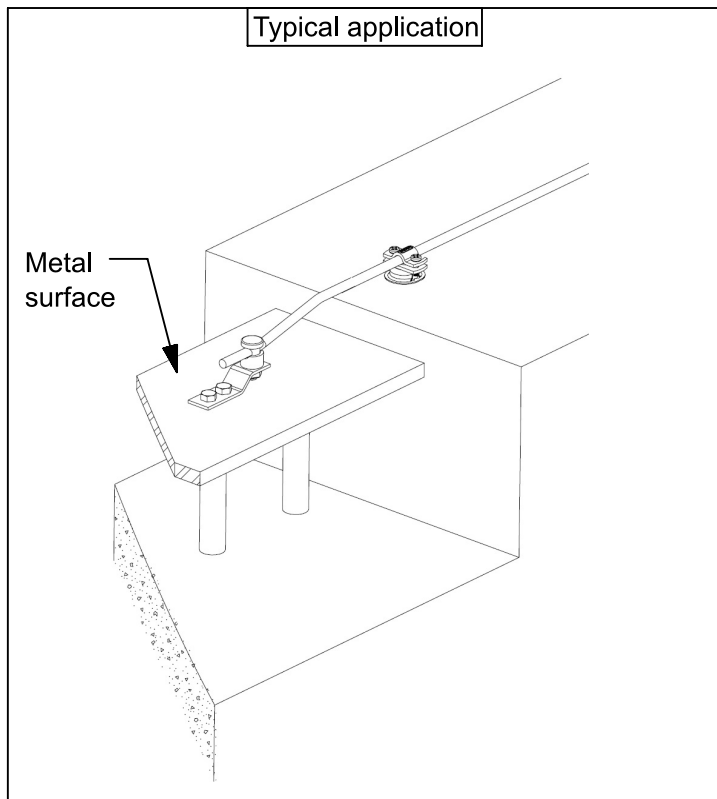
Description

End clamp, tested according to IEC 62561-1, for bonding metallic surface to solid round or stranded conductor. The clamp consists of :

*a body which bonds with the metallic surface through two screws M8 or M10 (not included)

*a base and one special design screw terminal M10x25, which clamps the conductor and one M10 nut.

Typical application



Description	Raw material	d	Item code	Optional conductor (Round or stranded)
End clamp	Al	8	62 45 441	64 40 008
End clamp	Al	10	62 45 440	64 00 011
End clamp	Cu	16mm ² - 35mm ²	62 25 442	64 20 135
End clamp	Cu/eSn	16mm ² - 35mm ²	62 25 443	64 20 135
End clamp	Cu	8mm - 50mm ²	62 25 440	64 20 108
End clamp	Cu/eSn	8mm - 50mm ²	62 25 441	64 20 108



Title:

End clamp

FIRST ISSUED July 2016

DRAWN BY Dionysopoulos G.

CHECKED BY Kokkinos D.

APPROVED BY Kokkinos D.

SCALE None

ISSUANCE DATE September 2021

Model

62 x5 44x



www.elemko.gr



elemko@elemko.gr

All dimensions in mm

SHEET 1 OF 1