

Description

Clamp, tested according to IEC 62561-1, Class "H" (Heavy duty), for connecting solid round ($\varnothing 6-10\text{mm}$) or stranded conductor (25-70 mm²) to :

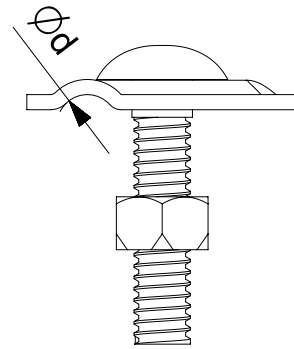
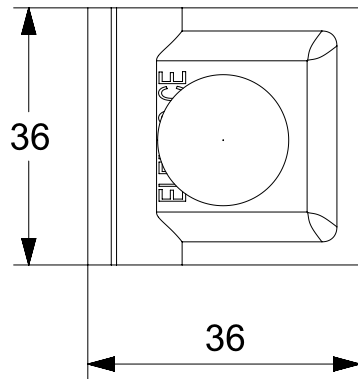
*Metallic structure

*Collar, part numbers ELEMKO 65 01 XXX & 65 02 XXX.

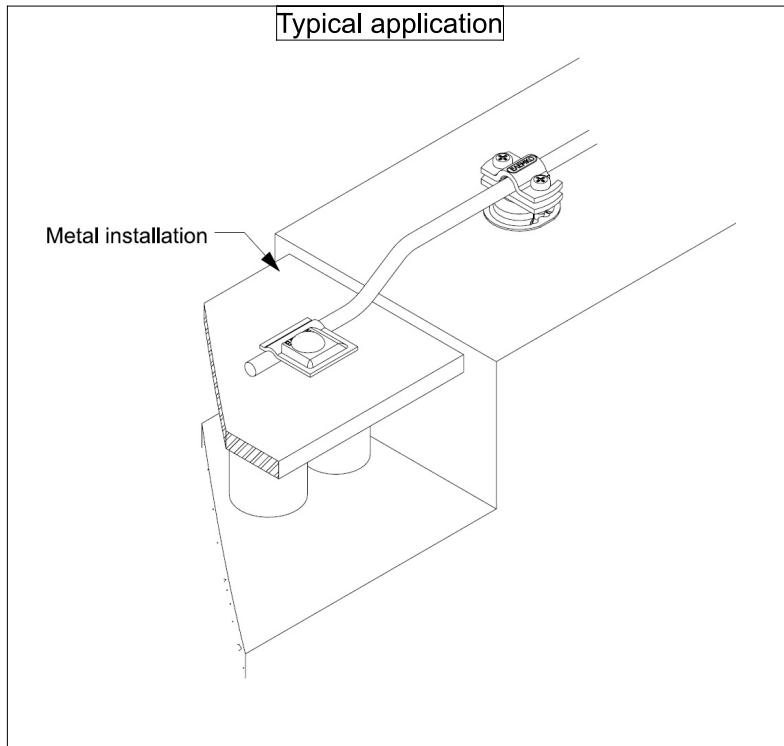
*Earth electrode type "E", part numbers ELEMKO 63 01 000 & 63 61 000.

*Cross profile earth rod, part numbers ELEMKO 63 00 015, 63 00 020 & 63 00 025.




The clamp is composed out of one plate with dimensions 36x36x2 mm. The tightening is achieved by a screw M8x30 mm and a nut M8.



Typical application



Description	Raw material	d*	Item code	Optional conductor (Round or stranded)
Universal connector-clamp	St/tZn	6-10	62 06 108	64 00 108
Universal connector-clamp	Cu	6-10	62 26 108	64 20 008
Universal connector-clamp	SSt/V2A	6-10	62 66 108	64 60 008

		Title: Connector for bonding metallic surfaces		
		FIRST ISSUED January 2017		Model 62 x6 108
DRAWN BY Dionysopoulos G.		 www.elemko.gr	 elemko@elemko.gr	
CHECKED BY Kokkinos D.				
APPROVED BY Kokkinos D.		SCALE None		
ISSUANCE DATE September 2021		None		

*Maximum dimensions
 All dimensions in mm