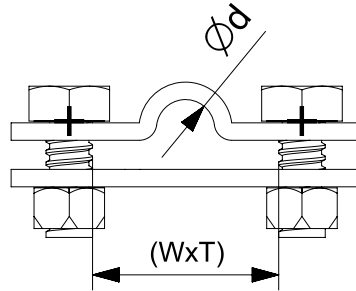
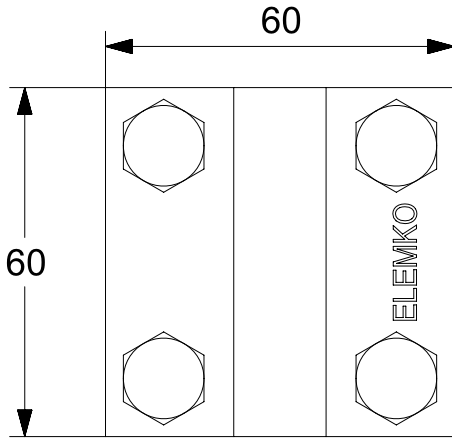


A



Description

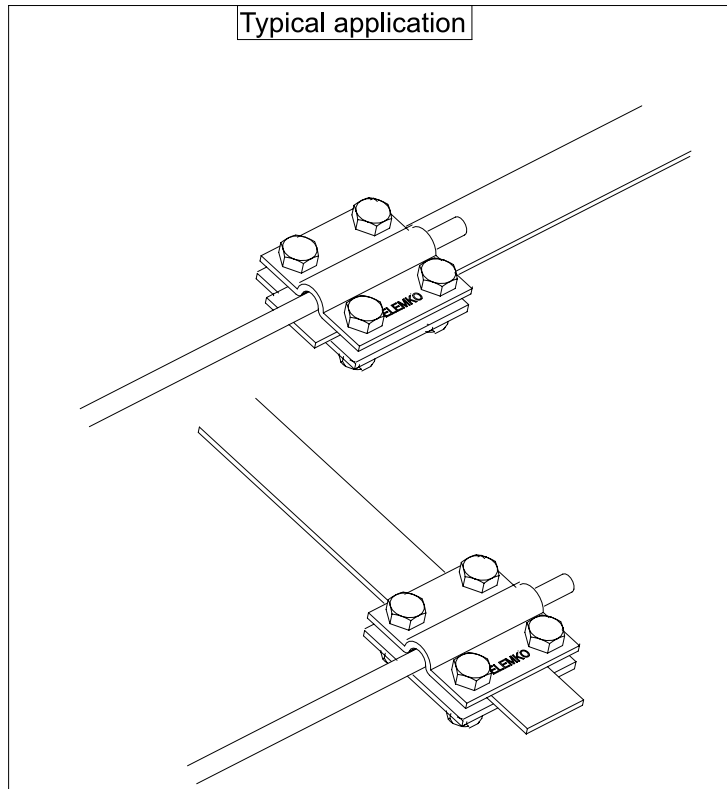
Clamp, tested according to IEC 62561-1, Class "H" (Heavy duty), for connecting solid round $\phi 8-10$ mm or stranded $50-70 \text{ mm}^2$ conductor to tape conductor $20-30 \text{ mm}$ & up to 6 mm thickness. It is composed out of two plates with dimensions $60 \times 60 \times 4 \text{ mm}$. The tightening is achieved by four screws $M8 \times 25 \text{ mm}$ and four nuts $M8$.

A

B

B

Typical application



C

C

Description	Raw material	Item code	$\phi d / (W \times T)$	Optional conductor (Round or Stranded)	Optional conductor (Tape)
Cross and 'T' connector	St/tZn	62 08 030 (St/tZn screws)	8-10 / 30	64 00 011	64 01 333
	Cu	62 28 030 (SSt/V2A screws)	8-10 / 30	63 02 025	64 01 333
	Cu/eSn	62 28 031 (SSt/V2A screws)	8-10 / 30	64 20 195	64 20 330

D

D



Title:

Cross and 'T' connector

FIRST ISSUED June 2016

DRAWN BY Dionysopoulos G.

CHECKED BY Kokkinos N.

APPROVED BY Kokkinos N.

SCALE None

ISSUANCE DATE July 2021

Model

62 x8 03x



SHEET 1 OF 1

All dimensions in mm