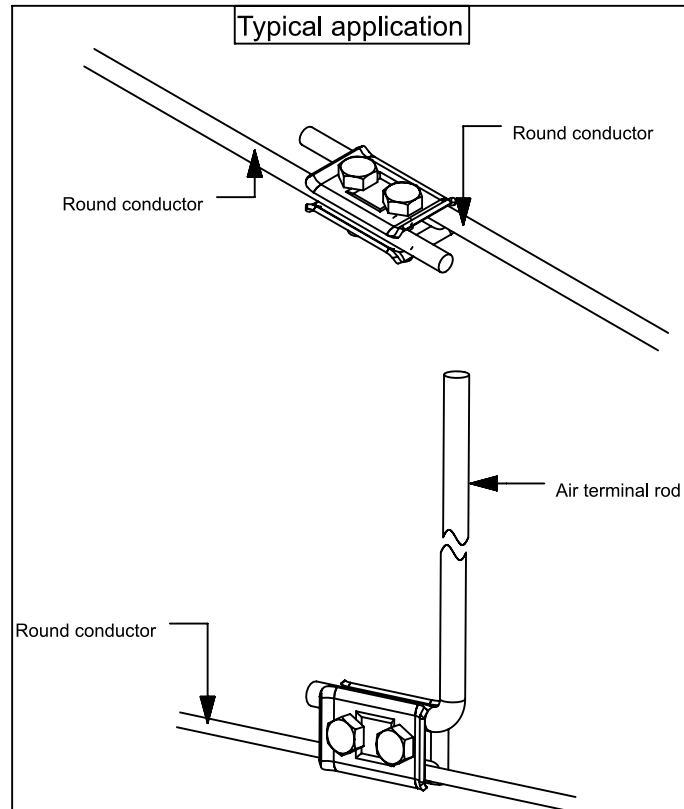


Description

Clamp tested according to IEC 62561-1, for connecting solid round $\varnothing 8-10$ mm or stranded (50-70 mm²) conductors. Used in air termination and down conductor system. The tightening is achieved by two screws M8x25 mm and two nuts M8.

Typical application



Description	Raw material	d ₁ / d ₂	Item code	Optional conductor (Round or stranded)
Parallel clamp	St/tZn	8 - 10 / 8 - 10	62 08 308	64 00 011 / 64 00 011
Parallel clamp	Cu	8 - 10 / 8 - 10	62 28 308	64 20 008 / 64 20 008
Parallel clamp	Cu/eSn	8 - 10 / 8 - 10	62 28 309	64 22 008 / 64 22 008



Title:

Parallel clamp

FIRST ISSUED June 2016

DRAWN BY Dionysopoulos G.

CHECKED BY Kokkinos N.

APPROVED BY Kokkinos N.

SCALE None

ISSUANCE DATE July 2021

Model

62 x8 30x



All dimensions in mm

SHEET 1 OF 1