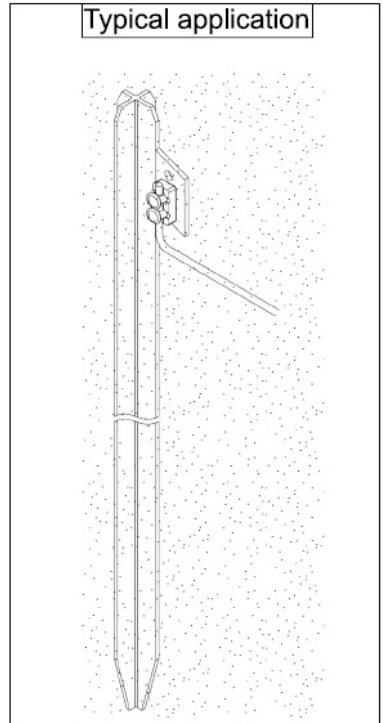
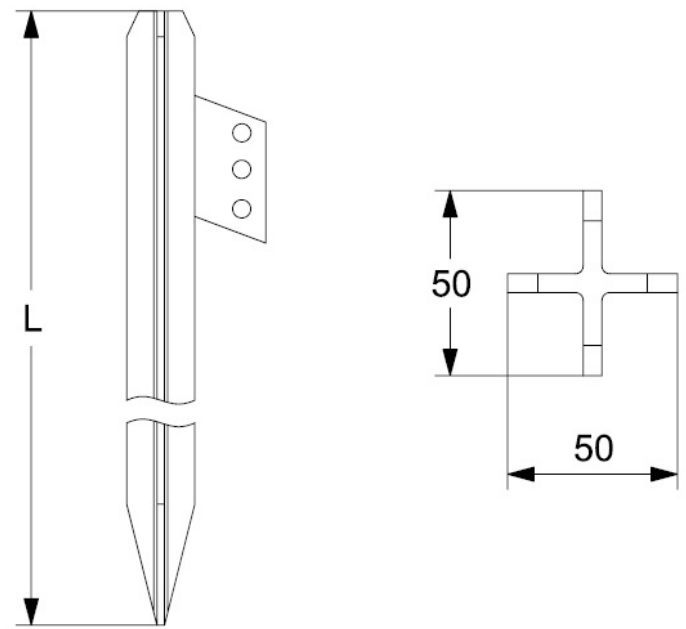


1 2 3 4 5 6

Description

Cross profile earth rod, tested according to IEC 62561-2.
It is made out of hot dip galvanized steel (St/tZn).



Description	Raw material	L	Item code	Optional conductor (Round)
Earth rod cross profile	St/tZn	1500	63 00 015	64 22 006
Earth rod cross profile		2000	63 00 020	64 00 108
Earth rod cross profile		2500	63 00 025	64 40 008

		Title:		
		Earth rod cross profile		
FIRST ISSUED	June 2016	Model		
DRAWN BY	Dionysopoulos G.			
CHECKED BY	Kokkinos N.	63 00 0xx		
APPROVED BY	Kokkinos N.	 www.elemko.gr	 elemko@elemko.gr	SHEET 1 OF 1
SCALE	None			
ISSUANCE DATE	September 2021			

All dimensions in mm

1 2 3 4 5 A4