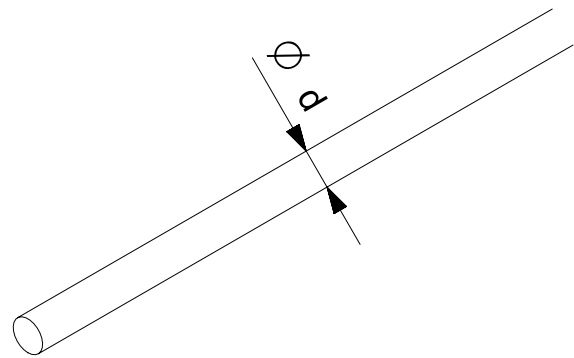


1 2 3 4 5 6

A

A



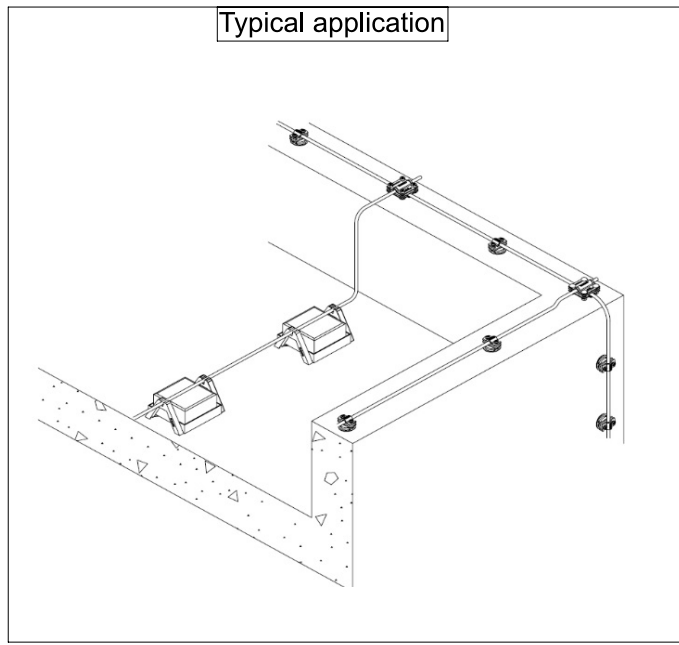
**Description**

Solid round conductor, tested according to IEC 62561-2, made out of aluminum (Al). Is used as air termination conductor and down conductor.

B

B

**Typical application**



C

C

D

D

All dimension in mm

1 2 3 4 5 6 A4

Description	Raw material	∅ d	Item code	For use	
				Buried	Above ground
Round conductor	Al	8	64 40 008	X	✓
Round conductor	Al	9	64 40 009	X	✓

		Title:	
		Round conductors	
FIRST ISSUED	June 2016	Model	
DRAWN BY	Dionysopoulos G.		
CHECKED BY	Kokkinos N.		
APPROVED BY	Kokkinos N.	64 40 xxx	
SCALE	None	 www.elemko.gr	 elemko@elemko.gr
ISSUANCE DATE	September 2021	SHEET 1 OF 1	