

PRODUCT DATA SHEET

LIGHTNING PROTECTION AND EARTHING SYSTEM COMPONENTS

Code: 64 41 206

Description: Aluminium air termination rod Ø15x600 mm

ed.02/2021

Application

Aluminium rod used as air termination rod.

Technical characteristics

Diameter	15mm
Length	600 mm
Material	Aluminum (Al)
Electrical resistivity	<0,036 $\mu\Omega\text{m}$
Tensile strength	120 – 280 N/mm ²

Classification as per IEC EN 62561

- Heavy duty (H – 100 kA)
- General use
- Intended to withstand a static mechanical load
- Non-permanent connection



Installation instructions

Installation	Above ground
Can be connected with	Al, SSt (Stainless Steel), St/tZn
Connection arrangements	Cross (B1) "T" (B4)
Dimensions of round conductor to be connected	Ø8–10mm (50–70 mm ²)
Dimensions of tape conductor to be connected	Up to 5 mm thickness
Tightening torque	20 Nm

Testing as per IEC EN 62561

The component has successfully passed the testing requirements of standard IEC EN 62561-2 "Lightning protection system components (LPSC) – Part 2 : Requirements for conductors and earth electrodes".
Test report No **31489** by accredited laboratory as per ISO 17025

Manufacturing Quality Control

Manufacturing quality control according standard ISO 9001

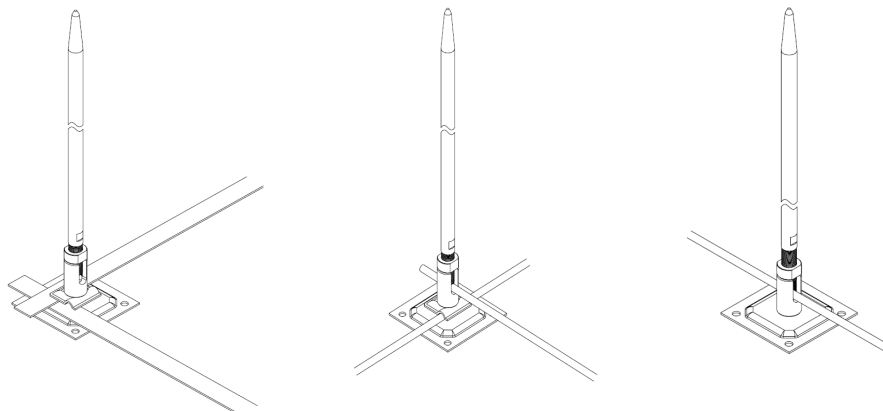
Country of Origin

Greece

Needed accessories

Air termination rod base 100x100 mm, ELEMKO code 6143100 or 6103100

Unit: piece / Package: 1 piece



Typical examples of component's use (base & conductor are not included)

We reserve the right to introduce changes in the component due to technical evolution.