

1

2

3

4

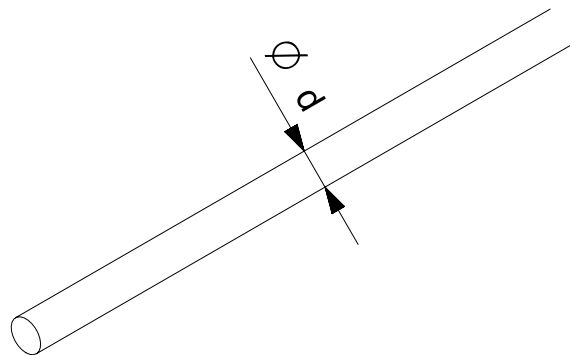
5

6

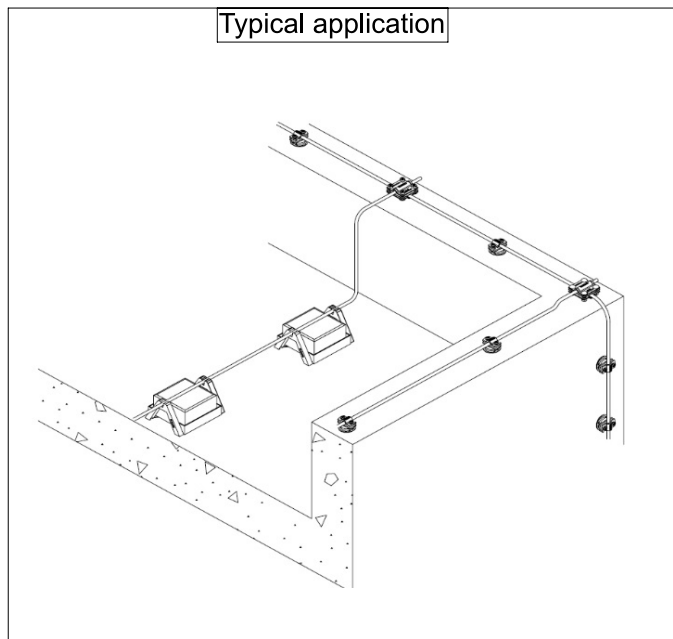
Description

Solid round conductor, tested according to IEC 62561-2, made out of stainless steel (V2A). It is used as air termination conductor, down conductor and earth conductor*.

*Unsuitable for anaerobic soils, such as clayey ones etc.






Typical application



All dimension in mm

Description	Raw material	Ø d	Item code	For use	
				Buried	Above ground
Round conductor	SSt/V2A	8	64 60 008	✓	✓
Round conductor	SSt/V2A	10	64 60 010	✓	✓

		Title:	
		Solid round conductor	
FIRST ISSUED	June 2016	Model	
DRAWN BY	Dionysopoulos G.		
CHECKED BY	Kokkinos N.	64 60 0xx	
APPROVED BY	Kokkinos N.	 www.elemko.gr	 elemko@elemko.gr
SCALE	None		
ISSUANCE DATE	September 2021	SHEET 1 OF 1	

1

2

3

4

5

A4